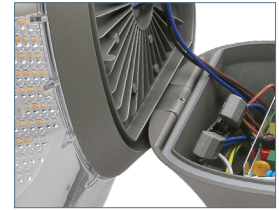
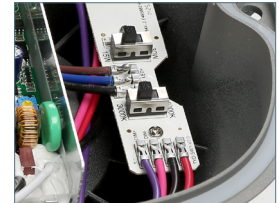


ALBERTA NEW

Stylish IP65 power and CCT selectable post-top fitting



HINGED COVER



POWER AND CCT SELECTABLE

APPLICATIONS

- Car parks
- Parks and gardens

SPECIFICATION

- Die-cast aluminium base and top cover
- Base and top finished with anti-corrosion matt paint, grey (RAL9007) or black (RAL9017)
- Clear polycarbonate main cover
- Pre-wired with 6m of 1,5mm² 3 core flex and IP66 cable gland
- Surge protection device fitted, 10kV common & differential modes
- For 60mm or 76mm spigot entry. Supplied with a removable 60mm collar fitted.
- Power selectable, 15W and 30W
- CCT selectable, 3000K and 4000K

OPTIONS

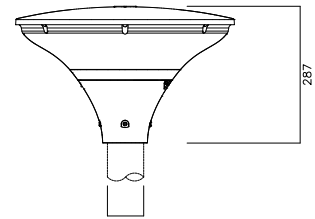
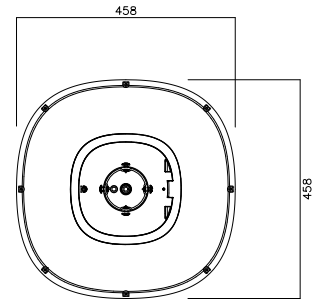
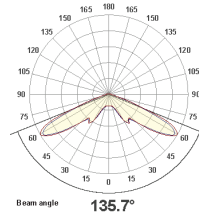
Photo-Electric Cell

- PE1: supplied with NEMA socket located centrally on the top cover and a compatible PE cell for dusk/dawn control, switching on at 10 lux and off at 80 lux

Paint finish

- Grey, GRY, RAL9007
- Black, BK, RAL9017

ALBERTA LIGHT DISTRIBUTION DIAGRAM



DIA 76 / 60 FIXING OPTIONS

ORDER CODE	WEIGHT (kg)	WINDAGE (m ²)	POWER (W)	LUMENS (lm)	EFFICACY (lm/c.W)	SENSOR TYPE	CRI	CCT (K)
NAB15-30/GRY/830-840	7	0.34	15 / 30	1949 / 3948	133 / 139		>80	3000 / 4000
NAB15-30/BK/830-840	7	0.34	15 / 30	1949 / 3948	133 / 139		>80	3000 / 4000
PHOTO-ELECTRIC CELL								
NAB15-30/GRY/PE1/830-840	7	0.34	15 / 30	1949 / 3948	133 / 139	Photo-Electric Cell	>80	3000 / 4000
NAB15-30/BK/PE1/830-840	7	0.34	15 / 30	1949 / 3948	133 / 139	Photo-Electric Cell	>80	3000-4000