

BISMARCK

TP(a) rated IP54 rated recessed modular fitting



STANDARD OR SELF-TEST EMERGENCY CONVERSION PACK WITH LITHIUM (LiFePO₄) BATTERY - SEE PAGE 69



SUPPLIED COMPLETE WITH SIDE-ARM SUPPORT BRACKETS



APPLICATIONS

- Health centres and hospitals
- Food preparation areas
- Laboratories and clean rooms

CONSTRUCTION

- Robust steel body
- White semi-gloss powder coated finish
- IP54 rated to the front of the fitting
- Supplied with opal TP(a) rated front panel
- For 15-24mm exposed T, plasterboard and some concealed grid ceilings

TECHNICAL DETAILS

- 155 lm/W
- 30W, 3375 lm, 112 l.lm/cW
- CRI >80
- CCT 4000K
- Branded ENEC approved flicker free driver

OPTIONS

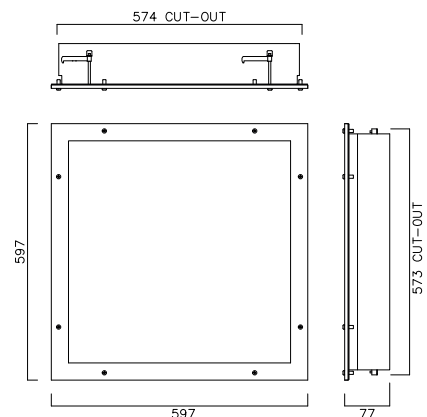
EMERGENCY Plug-in lithium emergency conversion packs. To be ordered separately, as listed below

DALI ADDRESSABLE EMERGENCY

Emergency (Suffix DAM3) options available

DIMMING DD (DALI or Switch Dim) or CF (Corridor Function) available. Add suffix DD or CF as required

SMART WIRELESS lighting control and addressable test options are available. See pages 100-103 or contact our technical team for details



ORDER CODE	DESCRIPTION
NBI30/840/TPA	Bismarck 30W LED Rec Mod IP54 TPA 840
ACCESSORIES	
N/REC/M3/PACK/V2	M3 Pack V2 LiFePO ₄ for Recessed Product Ranges
N/REC/STM3/PACK/V2	M3 Pack V2 Self-Test LiFePO ₄ for Recessed Product Ranges