

FREMONT

IP65 rated decorative post top fitting



SPIGOT REDUCER
76-60MM



APPLICATIONS

- Car parks
- Parks and gardens
- Urban amenity areas

CONSTRUCTION

- Die-cast aluminium body and base
- Clear polycarbonate cover
- Aluminium internal reflector
- Weight: 7.2kg
- Windage: 0.25m²

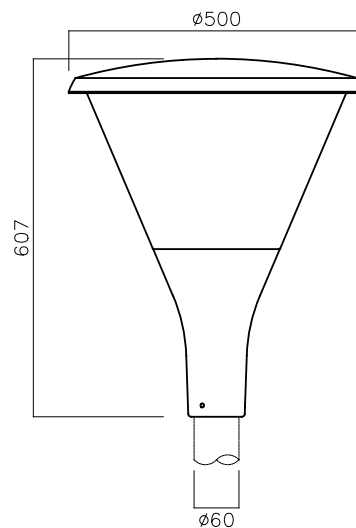
TECHNICAL DETAILS

- 145 lm/W
- 31W, 3,302 lm, 107 l.lm/c.W
- CRI>80
- CCT 4000K

OPTIONS

PHOTO-CELL Photo-cell options are not available

POST-TOP REDUCER 76-60mm available as an optional extra



| ORDER CODE | DESCRIPTION |
|---------------|---------------------------------|
| NFM40/840 | Fremont 40W LED Post Top 840 |
| ACCESSORIES | |
| NSR/76-60/EXT | Spigot Reducer 76-60mm External |