

# JASPER

IP65 decorative post-top fitting



### APPLICATIONS

- Car parks
- Parks and gardens

### SPECIFICATION

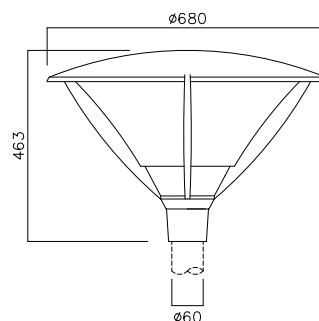
- Die-cast aluminium base and top cover
- Base and top finished with anti-corrosion matt paint, grey (RAL 9007)
- UV stable clear polycarbonate controller
- Pre-wired with 300mm of 1,5mm<sup>2</sup> 3 core H05RN-F flex. IP65 gland supplied
- Surge protection device fitted, 3kV rated

### OPTIONS

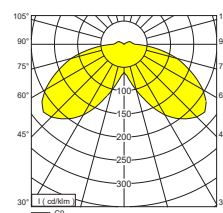
#### Photo-Electric Cell

- PE1, for dusk down control, switching on at 35 lux and off at 52 lux

**76-60mm spigot reducer** available, to be ordered separately, as listed below



JASPER LIGHT DISTRIBUTION DIAGRAM



ORDER CODE	WEIGHT (kg)	WINDAGE (m <sup>2</sup> )	POWER (W)	LUMENS (lm)	EFFICACY (lm/c.w)	SENSOR TYPE	CRI	CCT (K)
NJS50/LED/740	7	0.34	35	3380	96		>70	4000
NJS50/LED/PE1/740	7	0.34	35	3380	96	Photo-Electric Cell	>70	4000

### Accessories

ORDER CODE	DESCRIPTION
NSR/76-60/EXT	Spigot Reducer 76-60mm External



SPIGOT REDUCER 76-60MM