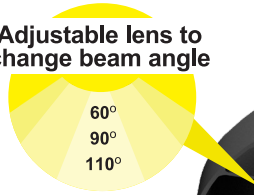


JUPITER PRO

A highly efficient IP65-rated high-bay with dimming and sensor options and adjustable beam angle

Adjustable lens to change beam angle



APPLICATIONS

- Factories, workshops and warehouses
- Public areas such as airports and railway stations
- Mounting heights of 5m+

SPECIFICATION

- Die-cast aluminium body painted black
- Adjustable polycarbonate lens. Rotating the lens gives a choice of 60°, 90° or 110° beam angles
- Power selectable. DIP switches allow selection of 90W, 150W or 200W
- Socket for a plug-in sensor (PIR or microwave). The sensor is optional and is purchased separately
- Driver with 1-10V input (use optional), compatible with the sensors listed. If no sensor is fitted the driver operates in fixed-output mode
- For suspended installation. Suspension eyelet supplied

OPTIONS

Emergency conversion packs – two plug-in emergency conversion packs, each with its own light source and lithium (LiFePO4) batteries, are available as listed opposite. Both are non-maintained 3 hours, with a choice of manual test (NM3L) and self-test (STNM3L).

Plug-in sensors - available to be ordered as separate items. They have a 1-10V output, compatible with the driver fitted as standard. Two sensors are available, and a programming handset:

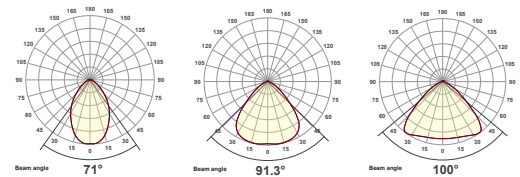
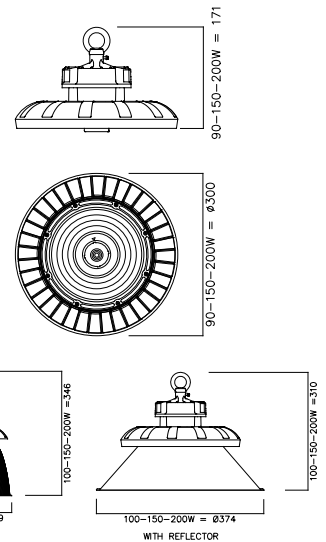
- **Passive infrared (PIR)**, up to 12m mounting height
- **Microwave (MW)**, up to 15m mounting height
- A programming handset is required to commission the sensors, listed opposite

Reflectors, refractors and brackets - available to be ordered as separate items:

- Polycarbonate refractor
- Aluminium reflector
- Stirrup mounting bracket

Dimming

- DA: DALI dimming
- CS: Casambi smart wireless control
- HS: HubSense smart wireless control



KEY FEATURES

EFFICIENT – Up to 174 luminaire lumens per circuit watt

WATTAGE SELECTABLE – Choice of 100W, 150W & 200W

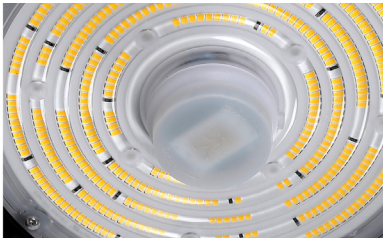
PLUG & PLAY SENSORS – Choice of Passive Infrared (PIR) or Microwave (MW) sensors

ADJUSTABLE BEAM ANGLE – Rotate the lens to deliver 60°, 90° or 110° beam angles

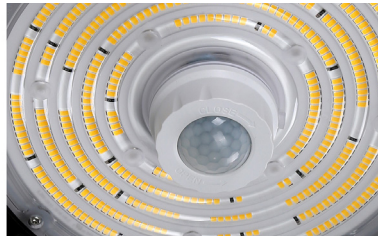
ORDER CODE	DIAMETER (mm)	POWER (W)	LUMENS (lm)	EFFICACY (l.lm/c.w)	DIMMING	CRI	CCT (K)
NJP/PRO/90-150-200/840	300	92 / 149 / 195	16271 / 25805 / 33597	178 / 174 / 174	1-10V	>80	4000

JUPITER PRO

Sensors



MICROWAVE SENSOR



PIR SENSOR

FULLY PROGRAMMABLE VIA HANDSET

DETECTION RANGE -

Detection range, standby dimming level and hold time can all be adjusted via the handset, listed below.



Ordered separately as listed. They attach with a twist-lock action that maintains JUPITER PRO's IP65 rating.

ORDER CODE	DESCRIPTION
NJP/PRO/MW/SENSOR	Jupiter Pro Microwave Sensor
NJP/PRO/PIR/SENSOR	Jupiter Pro PIR Sensor
N/HB/PIR-MW/PROG/HS	High Bay PIR & MW Sensor Programming Handset

Accessories



Refractors

Made of clear polycarbonate, the refractor reduces the beam angle very slightly, but substantially reduces the risk of glare. The refractor is generally most useful for reducing glare at lower mounting heights.



Reflectors

Made of aluminium, the reflector reduces the beam angle, and substantially reduces the risk of glare. The reflector is mostly used when JUPITER is installed at mounting heights above about 10m.



Stirrup Mount Bracket

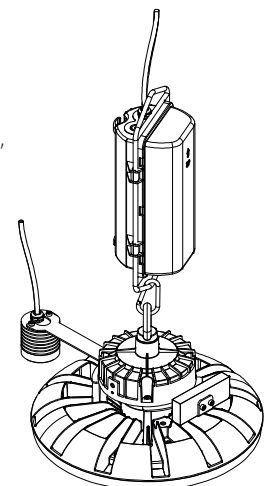
JUPITER PRO is supplied complete with a suspension eyelet, but for mounting direct to a surface a stirrup mounting bracket is available.

ORDER CODE	DESCRIPTION
NJP/REFL/100-150-200	Jupiter Pro ALI Reflector For 100W/150W/200W
NJP/REFR/100-150-200	Jupiter Pro PC Refractor For 100W/150W/220W
NJP/PRO/SMB/90-150-200	Jupiter Pro 90W/150W/200W Stirrup Mount Bracket Kit

Emergency Conversion Packs



Plug & play 3 hr non-maintained emergency conversion packs for use with JUPITER PRO are available in 2 versions, standard NM3L and a self-test version, STNM3L. Both are supplied with lithium batteries and a 7-year warranty.



ORDER CODE		POWER	LUMENS (lm)	EFFICACY (lm/c.W)	MOUNTING	EMERGENCY
N/HB/NM3L/PACK	High Bay IP65 NM3 Lithium Pack For NJP & NNT Ranges	8	1319	165	Suspended	Manual-test
N/HB/STNM3L/PACK	High Bay IP65 STNM3 Lithium Pack For NJP & NNT Ranges	8	1319	165	Suspended	Self-test