

KELSO

Low-Bay with choice of two outputs



APPLICATIONS

- Warehouses, garages & workshops

CONSTRUCTION

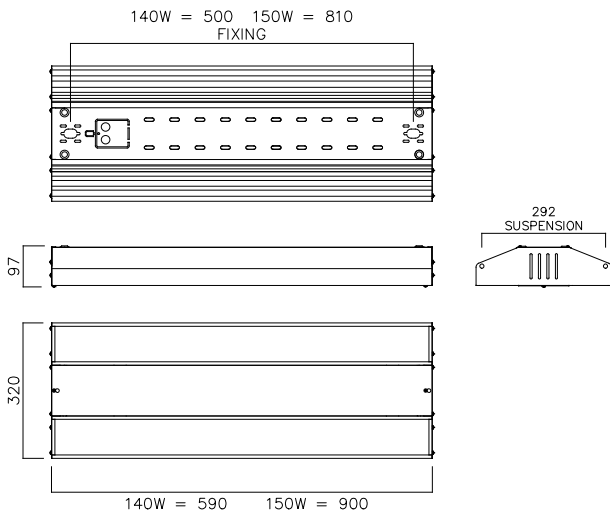
- Mild steel body
- Textured white paint finish, RAL9016
- Aluminium extruded heatsinks
- Eye-holes for easy suspension
- Clear polycarbonate UV-stable cover
- Piano-key terminal block

TECHNICAL DETAILS

- 165 lm/W
- 2 wattages / sizes available
 - 148.8W, 18,945 lm., 127 l.lm/c.W
 - 153W, 22,260 lm., 147 l.lm/c.W
- ENEC approved flicker free driver
- CRI>80,
- CCT 4000K
- Osram LEDs mounted on metal core PCB's

KELSO IS QUICK & VERSATILE TO INSTALL

- Piano-key terminals – no screwdriver required
- Loop-in / loop-out, 2 x 2.5mm² terminals – no junction box required
- Terminal block fitted to fold-up tab on rear for easy access
- Optional use 20mm knock-out on each end for cable entry
- Surface or suspension mounted:
 - o Eye-hole on each corner for chain suspension, and
 - o BESA fixings on rear for surface mounting



ORDER CODE	DESCRIPTION
NKE140/LED/840	Kelso 140W LED Low Bay 840
NKE140/LED/M3/840	Kelso 140W LED Low Bay M3 840
NKE140/LED/PIR/840	Kelso 140W LED Low Bay PIR 840
NKE140/LED/PIR/M3/840	Kelso 140W LED Low Bay PIR M3 840
NKE150/LED/840	Kelso 150W LED Low Bay 840
NKE150/LED/M3/840	Kelso 150W LED Low Bay M3 840
NKE150/LED/PIR/840	Kelso 150W LED Low Bay PIR 840
NKE150/LED/PIR/M3/840	Kelso 150W LED Low Bay PIR M3 840