

# LYNX PRO **NEW**

IP66 rated asymmetric aluminium floodlight for coastal & harsh environments



**APPLICATIONS**

- Building facades and sports grounds
- Industrial and coastal areas
- Areas subject to high pollution levels
- Rated ambient temperature range -30°C - +45°C

**SPECIFICATION**

- Aluminium die-cast body, painted black (RAL9017)
- Adjustable steel mounting bracket, painted black (RAL9017)
- Body and bracket corrosion treated to ISO 12944 class C4 (high).
- 4mm toughened glass front cover
- LEDs, individually lensed, with aluminium heat sink
- White polycarbonate reflector
- IP66 cable gland supplied

**OPTIONS**

- Size and wattage. Available in 3 sizes
- Small – 50W
  - Medium – power selectable, 75W, 112W, 150W
  - Large – power selectable, 150W, 225W, 300W

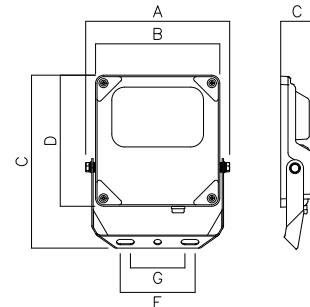


**Photo-Electric Cell**

- PE1: Photo-electric cell for dusk/dawn control switching on at 70 lux, off at 105 lux

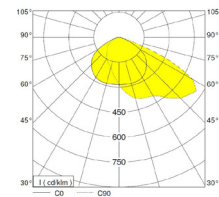
**Colour temperature**

Available with a choice of 2700K or 4000K



SIZE	A	B	C	D	E	F	G
50W	211	182	254	193	48	110	80
150W	263	232	318	252	53	140	100
300W	343	302	403	352	56	205	155

TYPICAL LYNX LIGHT DISTRIBUTION DIAGRAM



**KEY FEATURES**

- HIGH CORROSION RESISTANCE** – tested to ISO 12944 C4 and 1,000 hours salt spray test
- ASSYMETRIC DISTRIBUTION** – Suitable for facades and sports facilities
- CHOICE OF CCT** – 2700K or 4000K, especially suitable for facades
- WIDE OUTPUT RANGE** – From 7,987 lm to 46,934 lm

**NEW LYNX PRO**

**Small**



Fixed output  
**50W**

**Medium**



Power selectable  
**75W, 112W, 150W**

**Large**



Power selectable  
**150W, 225W, 300W**

LYNX PRO is corrosion resistant to ISO 12944 C4 and it has been 1,000 hour salt-spray tested, so it is made to withstand coastal conditions and harsh environments



Individually lensed LEDs ensure accurate light distribution with minimum spill.

**2700K**

ORDER CODE	WEIGHT (kg)	WINDAGE (m <sup>2</sup> )	POWER (W)	LUMENS (lm)	EFFICACY (l.lm/c.W)	SENSOR TYPE	CRI	CCT (K)
NLX/PRO/50/727	1.2	0.05	50	7308	142	-	>70	2700
NLX/PRO/75-112-150/727	2.2	0.08	75 / 112 / 150	11806 / 17205 / 21130	154 / 152 / 140	-	>70	2700
NLX/PRO/150-225-300/727	4	0.14	150 / 225 / 300	24401 / 34307 / 42944	162 / 152 / 142	-	>70	2700

**4000K**

ORDER CODE	WEIGHT (kg)	WINDAGE (m <sup>2</sup> )	POWER (W)	LUMENS (lm)	EFFICACY (l.lm/c.W)	SENSOR TYPE	CRI	CCT (K)
NLX/PRO/50/740	1.2	0.05	50	7987	155	-	>70	4000
NLX/PRO/75-112-150/740	2.2	0.08	75 / 112 / 150	12903 / 18804 / 23093	168 / 166 / 153	-	>70	4000
NLX/PRO/150-225-300/740	4	0.14	150 / 225 / 300	26668 / 37495 / 46934	177 / 166 / 155	-	>70	4000

**2700K Photo-Electric Cell**

ORDER CODE	WEIGHT (kg)	WINDAGE (m <sup>2</sup> )	POWER (W)	LUMENS (lm)	EFFICACY (l.lm/c.W)	SENSOR TYPE	CRI	CCT (K)
NLX/PRO/75-112-150/PE1/727	2.2	0.08	75 / 112 / 150	11806 / 17205 / 21130	154 / 152 / 140	Photo-Electric Cell	>70	2700
NLX/PRO/150-225-300/PE1/727	4	0.14	150 / 225 / 300	24401 / 34307 / 42944	162 / 152 / 142	Photo-Electric Cell	>70	2700

**4000K Photo-Electric Cell**

ORDER CODE	WEIGHT (kg)	WINDAGE (m <sup>2</sup> )	POWER (W)	LUMENS (lm)	EFFICACY (l.lm/c.W)	SENSOR TYPE	CRI	CCT (K)
NLX/PRO/75-112-150/PE1/740	2.2	0.08	75 / 112 / 150	12903 / 18804 / 23093	168 / 166 / 153	Photo-Electric Cell	>70	4000
NLX/PRO/150-225-300/PE1/740	4	0.14	150 / 225 / 300	26668 / 37495 / 46934	177 / 166 / 155	Photo-Electric Cell	>70	4000