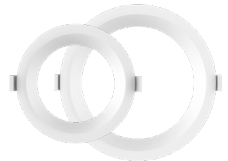


MONTANA NEW

A low glare downlight, power and CCT selectable, with a deep recessed diffuser and interchangeable bezels.



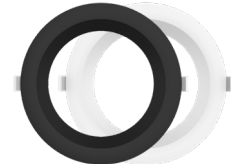
Bezels
Supplied as standard with a narrow white bezel. Alternative bezels available – see below.



Narrow white bezels, supplied as standard on both sizes of MONTANA



Narrow black bezels, available as accessories for both sizes of MONTANA



Wide bezels, available as accessories for MONTANA 13-17-22W only, for cutouts up to 225mm

APPLICATIONS

- Offices and meeting rooms
- Display areas, reading rooms and libraries
- Projects requiring UGR<19

SPECIFICATION

- Die-cast aluminium body, black (RAL9005)
- Die-cast aluminium bezel, white (RAL9016)
- Remote driver with twist/lock connector
- Loop-in/out terminals on driver
- CCT selector switch, 3000K or 4000K
- Deep recessed diffuser and semi-specular reflector for UGR<19
- Bezel, reflector and light engine all detachable and replaceable
 - o For bezels, see below
 - o For light engines & reflectors, call technical
- 59° beam angle

OPTIONS

Diameter and wattage

Available in two sizes, each with 3 selectable wattages:

- 150mm cut-out, 9W, 12W, 15W selectable
- 200mm cut-out, 13W, 17W, 22W selectable

Emergency – all maintained 3 hours with lithium (LiFePO₄) batteries

- For manual test (M3), self-test (STM3) and DALI addressable emergency test (DAM3), please order one of the emergency conversion packs listed below.
- CSDAM3L: Casambi addressable test
- HSDAM3L: HubSense addressable test

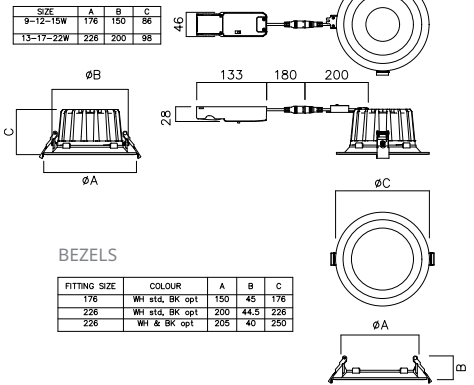
Dimming

- DD: Digital Dimming - DALI and Switch Dim
- CF: Corridor Function – dim-to-10%
- CS: Casambi smart wireless control
- HS: HubSense smart wireless control

Bezels

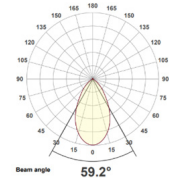
Supplied as standard with a narrow white bezel. Alternative bezels available – see below.

MONTANA 150mm and 200mm



BEZELS

FITTING SIZE	COLOUR	A	B	C
176	WH std, BK opt	150	45	176
226	WH std, BK opt	200	44.5	226
226	WH & BK opt	205	40	250



150mm dia. cut-out

ORDER CODE	DIMENSIONS (mm)		POWER (W)	LUMENS (lm)	EFFICACY (l.lm/c.W)	BEAM ANGLE	CRI	CCT (K)
	DIAMETER	CUT-OUT						
NMT9-12-15/CB3P/830-840	176	150	9-12-15	1278 / 1662 / 2096	Up to 144	60°	>80	3000-4000

200mm dia. cut-out

ORDER CODE	DIMENSIONS (mm)		POWER (W)	LUMENS (lm)	EFFICACY (l.lm/c.W)	BEAM ANGLE	CRI	CCT (K)
	DIAMETER	CUT-OUT						
NMT13-17-22/CB3P/830-840	226	200	13-17-22	1964 / 2629 / 3215	Up to 155	60°	>80	3000-4000

Bezels

ORDER CODE	DESCRIPTION
NMT/BEZ/BK/9-12-15	Montana Bezel Black for 9-12-15W
NMT/BEZ/BK/13-17-22	Montana Bezel Black for 13-17-22W
NMT/BEZ/WIDE/BK/13-17-22	Montana Wide Bezel Black - Up To 225mm Cutout
NMT/BEZ/WIDE/WH/13-17-22	Montana Wide Bezel White - To 225mm Cutout

Emergency conversion packs

ORDER CODE	DESCRIPTION
N/REC/M3/PACK/V2	M3 Pack V2 LiFePO ₄ For Recessed Product Ranges
N/REC/STM3/PACK/V2	M3 Pack V2 LiFePO ₄ Self Test For Recessed Product Ranges
N/REC/DAM3/PACK	LiFe DALI Addressable M3 Emergency Pack For Recessed Product Ranges

MONTANA

Designed on TM66 principles

MONTANA is designed for easy reuse, remanufacture and recycling.

The light engine, reflector and bezel assembly can be taken apart, replaced as necessary and re-assembled with two screws and a simple twist/lock action.



POWER SELECTABLE DRIVER

CCT SELECTOR

REPLACEABLE LIGHT ENGINE

REPLACEABLE REFLECTOR

REPLACEABLE BEZEL

TM66 is the CIBSE guide to "Creating a Circular Economy in the Lighting Industry", promoting the need to reuse, remake and (finally) recycle products through the course of their life.

