

ODESSA

IP65 rated floodlights in a slim die-cast aluminium housing



APPLICATIONS

- Security lighting
- Building perimeters & approaches
- Residential

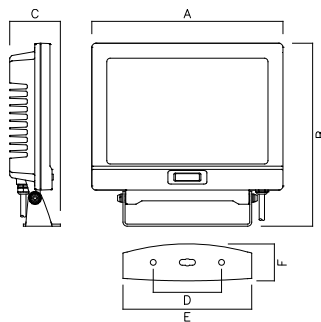
CONSTRUCTION

- Die-cast aluminium body with fine textured black paint finish
- Front cover secured with stainless steel socket-head screws
- 3mm toughened glass front cover
- Pre-wired with 1m of H05RN-F 3x1mm² flex
- Quick & easy to install

TECHNICAL DETAILS

- COB LED light source
- Available in 4 wattages:
 - 10W nom., 10.3W act., 1,015 lm, 93 l.lm/c.W
 - 20W nom., 20.2W act., 2,485 lm, 117 l.lm/c.W
 - 30W nom., 31.4W act., 3,000 lm, 102 l.lm/c.W
 - 50W nom., 52.9W act., 5,040 lm, 102 l.lm/c.W
- CRI >80
- CCT 4000K

PIR-PEC Available with PIR and Photocell fitted
Suffix /PIR-PEC to order. PIR-PEC versions complete with remote control for manual override on/ off and to adjust time delay, sensitivity (distance) and lux (light & dark operation).



SIZE	A	B	C	D	E	F
10W	120	125	40	30	52	28
20W	150	150	42	30	52	28
30W	180	178	46	55	82	34
50W	250	235	63	70	117	38

ORDER CODE	DESCRIPTION	WEIGHT kg	WINDAGE m ²	
NOD/V2/10/BK/840	Odessa V2 10W LED Floodlight Black 840	0.45	0.02	
NOD/V2/20/BK/840	Odessa V2 20W LED Floodlight Black 840	0.70	0.03	
NOD/V2/30/BK/840	Odessa V2 30W LED Floodlight Black 840	0.90	0.04	
NOD/V2/50/BK/840	Odessa V2 50W LED Floodlight Black 840	1.90	0.07	
ORDER CODE	DESCRIPTION	WITH PIR-PEC	WEIGHT kg	WINDAGE m ²
NOD/V2/10/BK/PIR-PEC/840	Odessa V2 10W LED Floodlight Black PIR+PEC 840		0.45	0.02
NOD/V2/20/BK/PIR-PEC/840	Odessa V2 20W LED Floodlight Black PIR+PEC 840		0.70	0.03
NOD/V2/30/BK/PIR-PEC/840	Odessa V2 30W LED Floodlight Black PIR+PEC 840		0.90	0.04
NOD/V2/50/BK/PIR-PEC/840	Odessa V2 50W LED Floodlight Black PIR+PEC 840		1.90	0.07
SPARES				
NOD/V2/HS/PIR-PEC	Odessa Remote Handset for PIR+PEC c/w Battery			



NOD/V2/20/BK/840



SLIM PROFILE.

NOD/V2/30/BK/PIR/840



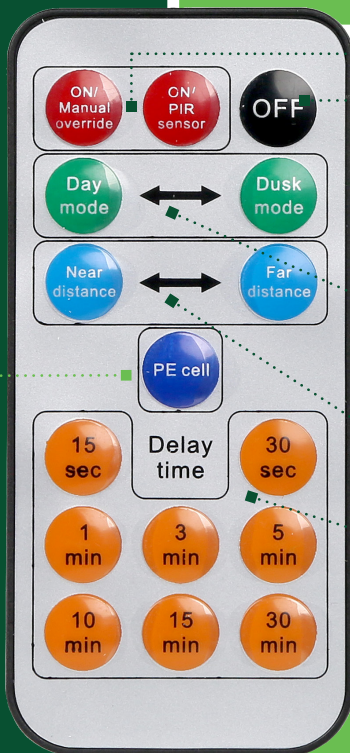
ADJUSTABLE MOUNTING BRACKET Quick and Easy to install without the need to remove the bracket.

OPTIONAL BUILT-IN PIR AND PHOTOCELL. Neat, tidy and protected from dirt and impact. Range up to 8m. (Photo cell mode for ON/OFF control only).

STAINLESS-STEEL cable gland.

PHOTOCELL FUNCTION

PIR FUNCTIONS



PRESS BLUE PE CELL BUTTON FOR PHOTOCELL MODE ONLY FOR DUSK TO DAWN OPERATION

PIR CONTROL

- **ON/Manual override.** Turns the floodlight on without any PIR control. Handy for illuminating the barbecue or for any other tasks where continuous light is required.
- **ON/PIR sensor.** Puts the fitting under PIR control. When motion is detected it will turn on. When no further motion is detected it will switch off after the time-out period has elapsed. This is the factory default mode.

OVERRIDE OFF Turns the fitting off.

LUX SENSING

- **Day Mode** - the light will always switch on when presence is detected.
- **Dusk Mode** - the light will only come on when presence is detected AND the ambient light level is <60 lux.

SENSITIVITY There are two settings:

- **Near distance** - only switches on if movement is detected close to the fitting.
- **Far distance** - switches on in response to movement close or further from the fitting.

TIME-OUT PERIOD If the light is on because it has been triggered by the sensor it will stay on for the time-out period and then switch off if no further movement is detected. There are 8 time-out periods to choose between.

With all the settings the fitting will acknowledge receipt of a command from the hand-held remote control by flashing once.