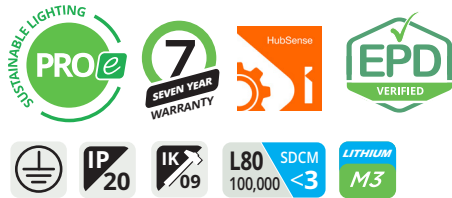


# NEW OPTIONS OREGON

Feature-rich high-bay, now available in standard and high efficiency versions, giving up to 184 l.lm/c.W



AVAILABLE WITH OPTIONAL PIR SENSOR



AVAILABLE WITH OPTIONAL WIRE GUARD TO ACHIEVE IK10 RATING

### APPLICATIONS

- Large open indoor areas such as factories, workshops, warehouses and school halls
- Mounting heights of 5m+

### CONSTRUCTION

- Steel body, painted white (RAL9016)
- LEDs individually lensed on metal core circuit board
- Aluminium extruded heat sink
- For suspension from chain, rods, lighting trunking and on BESA fixings

### OPTIONS

#### Light output

- Choice of 4 nominal output levels: 12klm, 18klm, 24klm, 32klm

**Light distribution.** Supplied with a choice of 2 lenses:

- 90° - for general purpose use
- High rack (HR) for narrow aisles and / or greater mounting heights

#### Dimming

- DD: Digital Dimming - DALI and Switch Dim
- CF: Corridor Function - dim-to-10%
- HS: HubSense smart wireless control

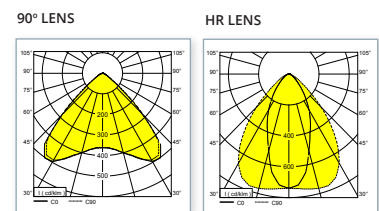
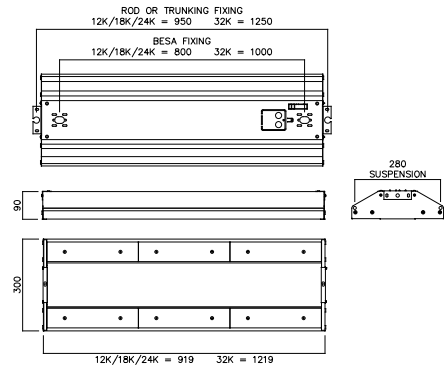
### Emergency - all maintained 3 hours with (LiFePO<sub>4</sub>) lithium batteries

- M3L: Manual test
- STM3L: Self-test
- HSDAM3L: HubSense addressable test
- DAM3L: DALI addressable test

### Sensor

- PIR: Passive infra-red occupancy sensor fitted for on/off control
- PIRD: PIR occupancy sensor with dimming for daylight harvesting

**Wire guard.** To be ordered as a separate item; increases the IK rating from IK09 to IK10



## KEY FEATURES

**EFFICIENCY** - Up to 184 luminaire lumens per circuit watt

**OPTIMISED DISTRIBUTION** - Lens options used to put light where it is needed

**VERSATILE** - Options of various gear types & sensors to make it suitable for any project

**FLEXIBLE** - Able to be surface mounted or suspended on rods, chains or wires



### SMART CONTROLS WITH HUBSENSE

HubSense is the most functional, flexible and open smart wireless lighting control system available today. Our fitting can be supplied with HubSense installed, ready to deliver even greater energy savings, sophisticated control and full remote emergency test and monitoring.

Ask our technical team for further details - [technical@nvcuk.com](mailto:technical@nvcuk.com)



OREGON has all the features needed for lighting large indoor spaces:

- **Up to 184 l.lm/c.W.** - High efficiency, and unlimited hours 7-year warranty keep running costs to a minimum
- **Sophisticated control options** - Can reduce energy use. Simple additions, like daylight harvesting (PIRD) drive costs down further
- **High-rack light distribution** - The HR lenses put light where it's needed in a narrow aisle installation
- **Programmable handset** - Allows you to customise the parameters of the sensor

To commission an OREGON with PIR or PIRD you will need a commissioning handset



# OREGON

High-efficiency, including manual test emergency (M3L)

ORDER CODE	POWER (W)	LUMENS (lm)	EFFICACY (l.lm/c.W)	OPTICAL DIRECTION	EMERGENCY	CRI	CCT (K)
<b>HE 90</b> <b>NEW</b>							
NOR/HE/12K/90/840	72	12230	170	90°		>80	4000
NOR/HE/12K/90/M3L/840	72	12230	170	90°	M3L	>80	4000
NOR/HE/18K/90/840	112	17797	159	90°		>80	4000
NOR/HE/18K/90/M3L/840	112	17797	159	90°	M3L	>80	4000
NOR/HE/24K/90/840	151	22945	152	90°		>80	4000
NOR/HE/24K/90/M3L/840	151	22945	152	90°	M3L	>80	4000
NOR/HE/32K/90/840	217	32894	151	90°		>80	4000
NOR/HE/32K/90/M3L/840	217	32894	151	90°	M3L	>80	4000
<b>HE HIGH-RACK</b> <b>NEW</b>							
NOR/HE/12K/HR/840	72	13302	184	High Rack		>80	4000
NOR/HE/12K/HR/M3L/840	72	13302	184	High Rack	M3L	>80	4000
NOR/HE/18K/HR/840	114	19630	173	High Rack		>80	4000
NOR/HE/18K/HR/M3L/840	114	19630	173	High Rack	M3L	>80	4000
NOR/HE/24K/HR/840	151	24140	160	High Rack		>80	4000
NOR/HE/24K/HR/M3L/840	151	24140	160	High Rack	M3L	>80	4000
NOR/HE/32K/HR/840	200	31744	159	High Rack		>80	4000
NOR/HE/32K/HR/M3L/840	200	31744	159	High Rack	M3L	>80	4000

Standard, including manual test emergency (M3L)

ORDER CODE	POWER (W)	LUMENS (lm)	EFFICACY (l.lm/c.W)	BEAM ANGLE	EMERGENCY	CRI	CCT (K)
<b>STANDARD 90</b>							
NOR/V2/12K/90/840	82	11555	140	90°		>80	4000
NOR/V2/12K/90/M3/840	82	11555	140	90°	M3L	>80	4000
NOR/V2/18K/90/840	144	18615	129	90°		>80	4000
NOR/V2/18K/90/M3/840	144	18615	129	90°	M3L	>80	4000
NOR/V2/24K/90/840	154	22450	137	90°		>80	4000
NOR/V2/24K/90/M3/840	154	22450	137	90°	M3L	>80	4000
NOR/V2/32K/90/840	235	30700	131	90°		>80	4000
NOR/V2/32K/90/M3/840	235	30700	131	90°	M3L	>80	4000
<b>STANDARD HIGH-RACK</b>							
NOR/V2/12K/HR/840	82	11300	136	High Rack		>80	4000
NOR/V2/12K/HR/M3/840	82	11300	136	High Rack	M3L	>80	4000
NOR/V2/18K/HR/840	144	17020	118	High Rack		>80	4000
NOR/V2/18K/HR/M3/840	144	17020	118	High Rack	M3L	>80	4000
NOR/V2/24K/HR/840	162	23040	142	High Rack		>80	4000
NOR/V2/24K/HR/M3/840	162	23040	142	High Rack	M3L	>80	4000
NOR/V2/32K/HR/840	234	30406	131	High Rack		>80	4000
NOR/V2/32K/HR/M3/840	235	30406	131	High Rack	M3L	>80	4000

## Accessories

ORDER CODE	DESCRIPTION
NOR/V2/WG	Oregon V2 Wire Guard with clip
NOR/V2/WG/32K	Oregon V2 Wire Guard for 32K with clip
NHS/QUICKSETPRO	Commissioning handset for OREGON PIR/PIRD

