

CORNELL

IP44 rated linear surface mount LED luminaire with opal polycarbonate diffuser



APPLICATIONS

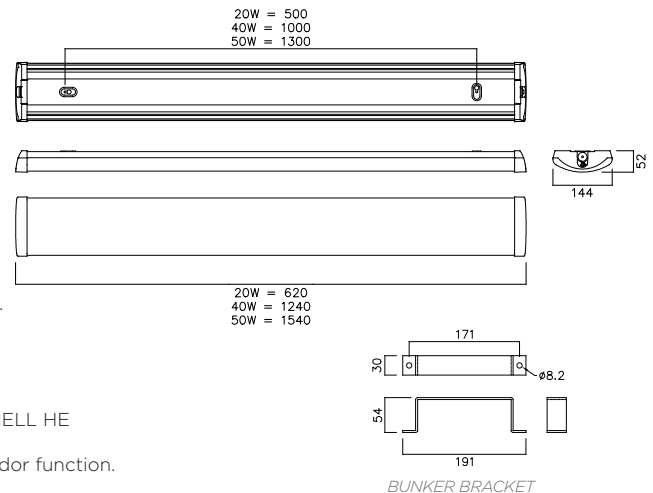
- Suitable for surface mounted application in domestic kitchens & hallways and in a wide range of commercial projects.

CONSTRUCTION

- Robust steel body and polycarbonate end caps, all white RAL9016
- Opal polycarbonate diffuser
- Keyhole fixing points on rear
- Cable entry points through rear and through end caps
- Easy to install
 - o Quick release endcaps for access to terminal blocks
 - o Loop-in/loop-out, piano-key terminals for 2.5mm² conductors
- 5-pole through wired with 1.5mm² cable on 40W & 50W variants, not on 20W.
- Colour selectable: Internal selector switch allows choice of 3000K or 4000K
- Supplied with driver, PF= \geq .95

OPTIONS

- Wattages: Choice of 20W, 40W & 50W. For other wattages, please see CORNELL HE
- Sensor: Available with micro-wave sensor (MW) fitted behind diffuser
- Dimming: Dimming driver (DA) available. Provides DALI, switch-dim and corridor function.
- Bunker bracket: Available, use optional. For stand-off surface installations.



| ORDER CODE PANELS | AVAILABILITY | | | POWER (W) | LUMENS (lm) | EFFICACY (lm/W) | CCT (K) | CRI (Ra) | DRIVERS PER MCB | COLOUR |
|----------------------|--------------|---------|---------|-----------|-------------|-----------------|-----------|----------|-----------------------------|--------|
| | DK | FI | SE | | | | | | | |
| NCR20/O/830-840 | | 4344030 | - | 20 | 2,330 | 117 | 3000-4000 | >80 | B10=17 B16=28 C10=29 C16=48 | WHITE |
| NCR20/O/MW/830-840 | | 4344031 | - | 20 | 2,330 | 117 | 3000-4000 | >80 | B10=17 B16=28 C10=29 C16=48 | WHITE |
| NCR20/O/DA/830-840 | | 4344036 | - | 20 | 2,330 | 117 | 3000-4000 | >80 | B10=17 B16=28 C10=29 C16=48 | WHITE |
| NCR40/O/830-840 | | 4344032 | - | 40 | 4,795 | 120 | 3000-4000 | >80 | B10=17 B16=28 C10=29 C16=48 | WHITE |
| NCR40/O/MW/830-840 | | 4344033 | - | 40 | 4,795 | 120 | 3000-4000 | >80 | B10=17 B16=28 C10=29 C16=48 | WHITE |
| NCR40/O/DA/830-840 | | 4344037 | - | 40 | 4,795 | 120 | 3000-4000 | >80 | B10=17 B16=28 C10=29 C16=48 | WHITE |
| NCR50/O/830-840 | | 4344034 | 7216001 | 50 | 6,000 | 120 | 3000-4000 | >80 | B10=17 B16=28 C10=29 C16=48 | WHITE |
| NCR50/O/MW/830-840 | | 4344035 | 7216002 | 50 | 6,000 | 120 | 3000-4000 | >80 | B10=17 B16=28 C10=29 C16=48 | WHITE |
| NCR50/O/DA/830-840 | | 4344038 | 7216003 | 50 | 6,000 | 120 | 3000-4000 | >80 | B10=17 B16=28 C10=29 C16=48 | WHITE |

| ACCESSORIES | DK | FI | SE | DESCRIPTION |
|-----------------|----|----|---------|----------------------------------|
| NCR/BUNKER/BRKT | - | - | 7215919 | Cornell Bunker Bracket Pack of 2 |