

DATASHEET

ALBERTA

Alberta 15-30W LED Post Top Black 830-840

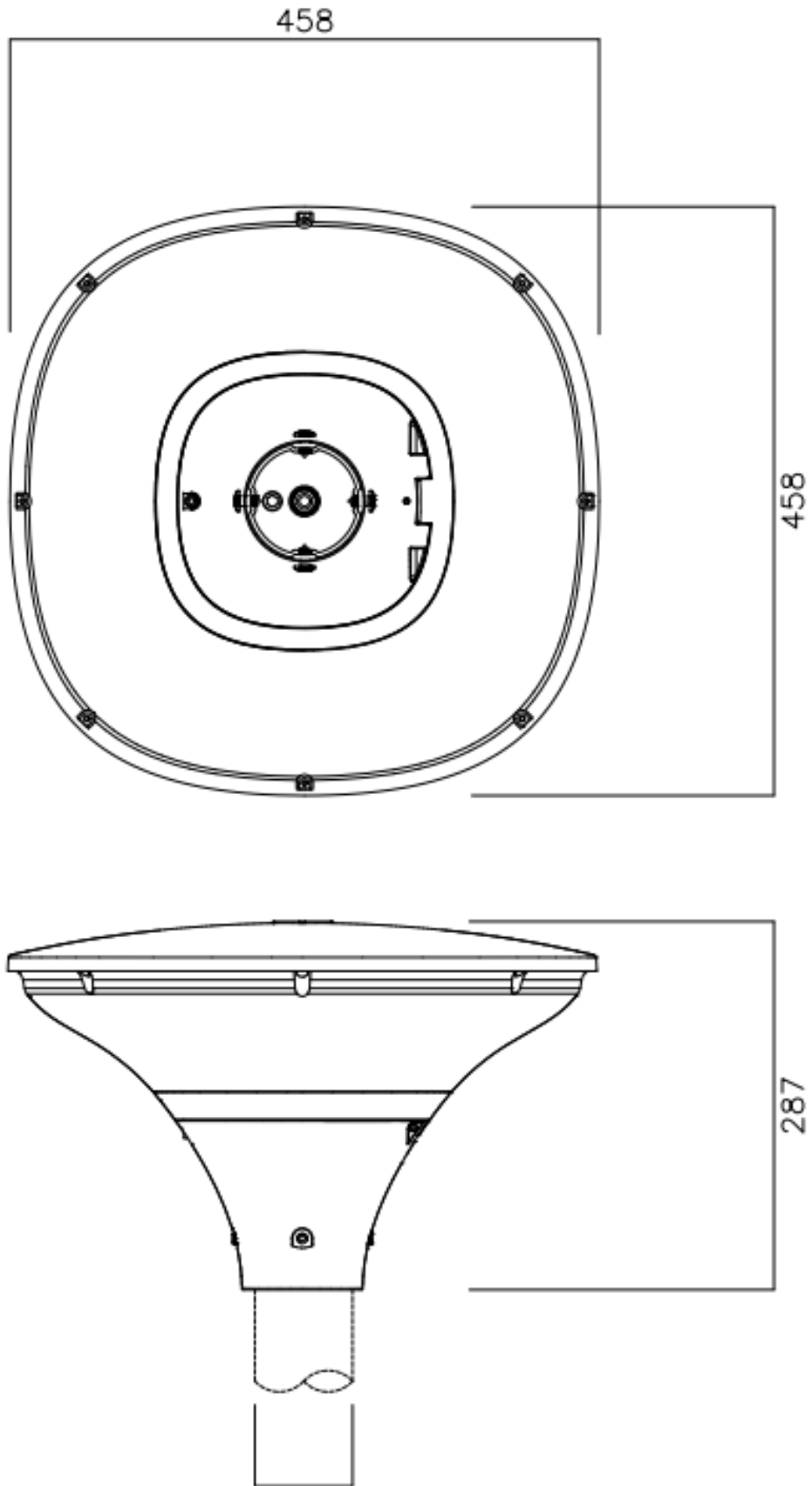
IP65 Rated Decorative LED Post Top Fitting
 Die Cast Aluminium Body And Base Construction
 Supplied With Pre-wired Flex



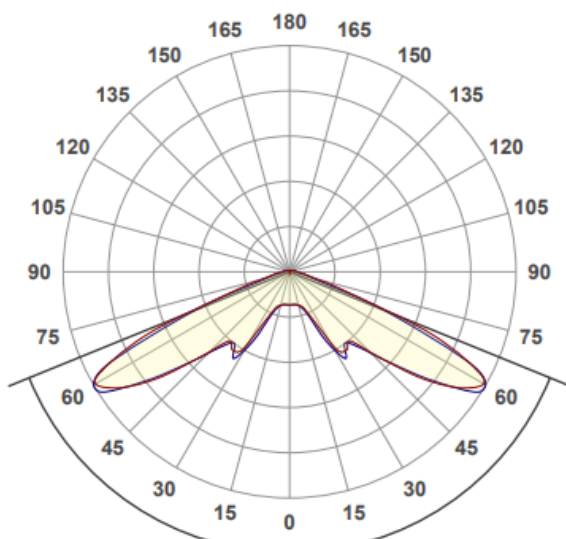
| GENERAL INFORMATION | |
|------------------------------------------------|---------------------|
| Product Code | NAB15-30/BK/830-840 |
| Product Range | Street Lighting |
| Product Category | Street Lighting |
| IP Rating | 65 |
| IK Rating | IK08 |
| Warranty | 7 Years Unlimited |
| DIMENSION/WEIGHT | |
| Dimensions Circular (DIA x H) (mm) | DIA=N/A, H=N/A |
| Dimensions Square/Rectangular (L x W x H) (mm) | L=458, W=458, H=287 |
| Cut-out Size (mm) | N/A |
| Product Weight (Kg) | N/A |
| CONSTRUCTION | |
| Body Material | Die Cast Aluminium |
| Body Colour | Black |
| Optical Material | N/A |
| Optical Finish | N/A |
| Termination | 6m LSOH 1.5mm3 |
| Driver - Integal or Remote | Integral |
| PACKAGING | |
| Carton Dimensions (mm) | N/A |
| Quantity per Outer Carton | N/A |
| Total Weight incl. Carton (Kg) | N/A |

| LUMINAIRE PERFORMANCE | |
|------------------------------|-----------------------------|
| Energy Rating | N/A |
| Luminaire Lumens (lm) | 1949 / 3948 |
| Power Consumption (W) | 14.7 / 28.5 |
| LED Lumens (lm/W) | 140 |
| Efficacy (l.lm/c.W) | 133 / 139 |
| Operating Temp. (Min/Max) | -30°C to 50°C |
| LIGHT SOURCE | |
| Type | LED |
| Correlated Colour Temp. | 3000-4000 |
| Colour Rendering Index (CRI) | >80 |
| Lumen Depreciation | L80 100000 |
| SDCM | <3 |
| ELECTRICAL INPUT | |
| VOLTAGE (V) | 220-240V AC |
| Operating Frequency | 50/60Hz |
| In Rush | 60A @ 275us |
| Drivers per MCB* | B10=17 B16=27 C10=28 C16=46 |
| Class | Class 1 |
| Power Factor | >0.95 |
| Cable Entry | Prewired |
| ELECTRICAL OUTPUT | |
| Forward Current (mA) | 550-920mA |
| Forward Voltage (Vf) | N/A |
| EMERGENCY DATA | |
| Mode of Operation | N/A |
| Battery Duration | N/A |
| Battery Type | N/A |
| Battery Specification | N/A |
| Emergency Lumens | N/A |
| DIMMING | |
| DALI | N/A |
| OTHER | N/A |
| Switch Dim | N/A |
| Corridor Function | N/A |
| SENSORS | |
| Microwave | N/A |
| PIR | N/A |
| STANDARDS/APPROVALS | |
| CE Marked | Yes |
| Certificate of Conformity | Yes |
| Accreditations | N/A |
| BARCODE | |
| EAN NUMBER | 5056673234018 |

* GUIDE ONLY



ADAPTOR COLLAR TO SUIT $\varnothing 60$



Beam angle **135.7°**