

DATASHEET

ARLINGTON LIFE

Arlington LiFe LED Maint. Blade Exit Sign ISO Up Legend DALI

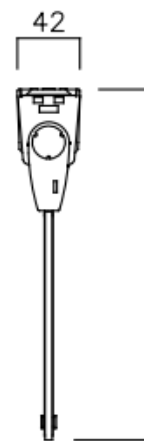
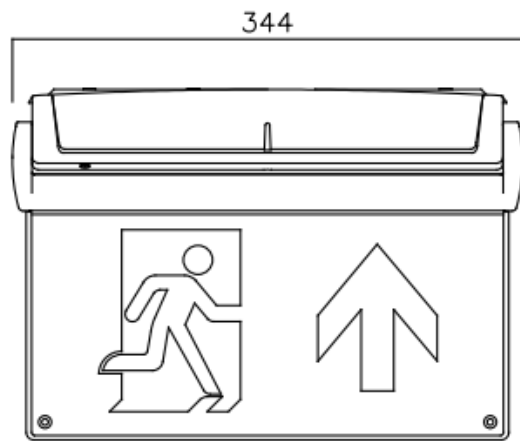
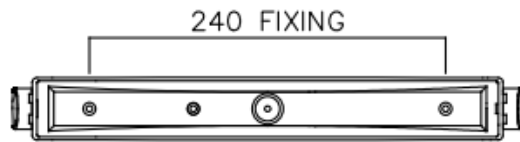
Drop Blade Exit Sign With Multitude Of Fixing Options
 90 Degrees Rotating Body
 LiFePO4 Battery



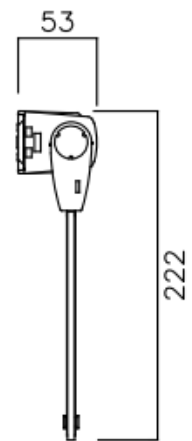
GENERAL INFORMATION	
Product Code	NAL/DAM3/ISO-U
Product Range	Emergency
Product Category	Emergency
IP Rating	20
IK Rating	N/A
Warranty	7 Years
DIMENSION/WEIGHT	
Dimensions Circular (DIA x H) (mm)	DIA=N/A, H=N/A
Dimensions Square/Rectangular (L x W x H) (mm)	L=344, W=42, H=236
Cut-out Size (mm)	N/A
Product Weight (Kg)	0.77
CONSTRUCTION	
Body Material	PC
Body Colour	White
Optical Material	N/A
Optical Finish	N/A
Termination	4 -Pole Terminal Block
Driver - Intergal or Remote	Integral
PACKAGING	
Carton Dimensions (mm)	N/A
Quantity per Outer Carton	N/A
Total Weight inclc. Carton (Kg)	N/A

LUMINAIRE PERFORMANCE	
Energy Rating	N/A
Luminaire Lumens (lm)	N/A
Power Consumption (W)	2
LED Lumens (lm/W)	N/A
Efficacy (l.lm/c.W)	N/A
Operating Temp. (Min/Max)	0°C to 25°C
LIGHT SOURCE	
Type	LED
Correlated Colour Temp.	6000/7000
Colour Rendering Index (CRI)	N/A
Lumen Depreciation	L80 100000
SDCM	N/A
ELECTRICAL INPUT	
VOLTAGE (V)	220-240V AC
Operating Frequency	50/60Hz
In Rush	N/A
Drivers per MCB*	N/A
Class	Class 1
Power Factor	>0.95
Cable Entry	Top
ELECTRICAL OUTPUT	
Forward Current (mA)	N/A
Forward Voltage (Vf)	N/A
EMERGENCY DATA	
Mode of Operation	Maintained
Battery Duration	3 Hours
Battery Type	LiFePO4
Battery Specification	3.2V 1500mAh
Emergency Lumens	N/A
DIMMING	
DALI	Yes
OTHER	N/A
Switch Dim	N/A
Corridor Function	N/A
SENSORS	
Microwave	N/A
PIR	N/A
STANDARDS/APPROVALS	
CE Marked	Yes
Certificate of Conformity	Yes
Accreditations	N/A
BARCODE	
EAN NUMBER	5056673206824

* GUIDE ONLY



CEILING MOUNTED



WALL MOUNTED