

DATASHEET

BALTIMORE

Baltimore 16-24W LED Wall Pack 830-40-60

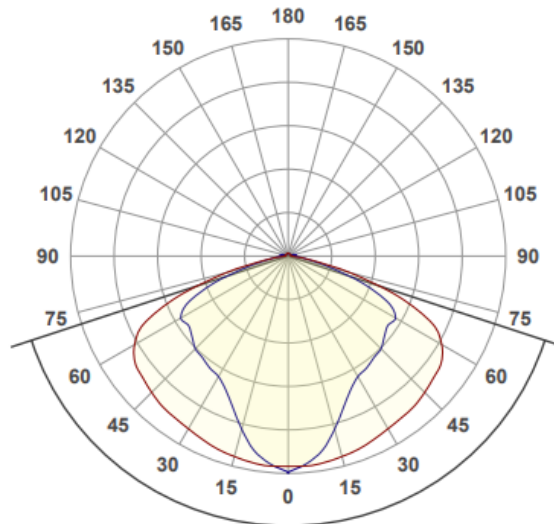
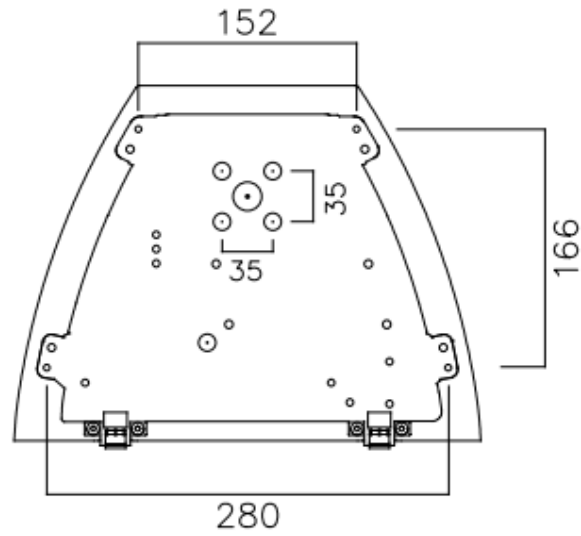
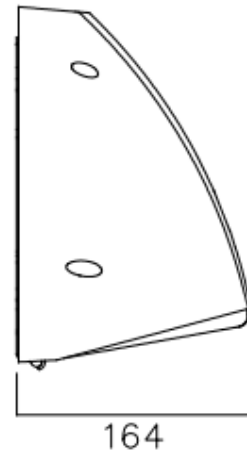
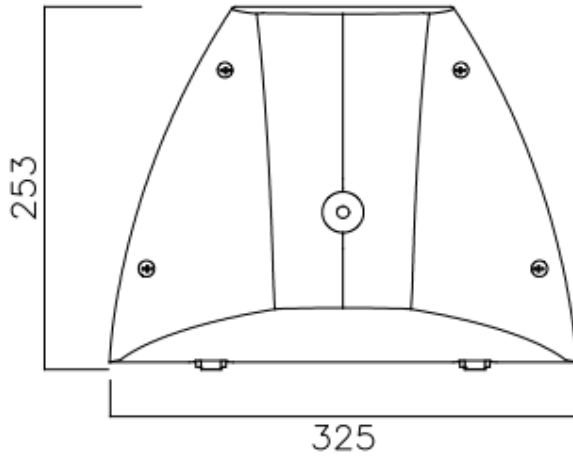
Power Selectable Wall Pack
 3 CCT Selectable



GENERAL INFORMATION	
Product Code	NBM16-24/830-40-60
Product Range	Amenity
Product Category	Amenity
IP Rating	65
IK Rating	N/A
Warranty	5 Years
DIMENSION/WEIGHT	
Dimensions Circular (DIA x H) (mm)	DIA=N/A, H=165
Dimensions Square/Rectangular (L x W x H) (mm)	L=N/A, W=325, H=253
Cut-out Size (mm)	N/A
Product Weight (Kg)	N/A
CONSTRUCTION	
Body Material	PC
Body Colour	Black
Optical Material	N/A
Optical Finish	N/A
Termination	4 Pole Terminal Block
Driver - Integal or Remote	Integral
PACKAGING	
Carton Dimensions (mm)	N/A
Quantity per Outer Carton	N/A
Total Weight incl. Carton (Kg)	N/A

LUMINAIRE PERFORMANCE	
Energy Rating	D
Luminaire Lumens (lm)	2136 / 2298 / 2377 (16W) 2975 / 3260 / 3151 (24W)
Power Consumption (W)	16.4 / 15.9 / 16.5 (16W) 24.8 / 23.7 / 24.6 (24W)
LED Lumens (lm/W)	N/A
Efficacy (l.lm/c.W)	130 / 145 / 144 (16W) 120 / 138 / 128 (24W)
Operating Temp. (Min/Max)	-20°C to 25°C
LIGHT SOURCE	
Type	LED
Correlated Colour Temp.	3000-4000-6000
Colour Rendering Index (CRI)	>80
Lumen Depreciation	L70 50000
SDCM	<5
ELECTRICAL INPUT	
VOLTAGE (V)	220-240V AC
Operating Frequency	50/60Hz
In Rush	N/A
Drivers per MCB*	B10=16 B16=28
Class	Class 2
Power Factor	>0.95
Cable Entry	Side/Rear
ELECTRICAL OUTPUT	
Forward Current (mA)	140 - 117
Forward Voltage (Vf)	N/A
EMERGENCY DATA	
Mode of Operation	N/A
Battery Duration	N/A
Battery Type	N/A
Battery Specification	N/A
Emergency Lumens	N/A
DIMMING	
DALI	N/A
OTHER	N/A
Switch Dim	N/A
Corridor Function	N/A
SENSORS	
Microwave	N/A
PIR	N/A
STANDARDS/APPROVALS	
CE Marked	Yes
Certificate of Conformity	Yes
Accreditations	N/A
BARCODE	
EAN NUMBER	5056673212344

* GUIDE ONLY



Beam angle **143.6°**