

## DATASHEET

### COLUMBIA

Columbia 20-30-40W LED Post Top Grey 827-830-840

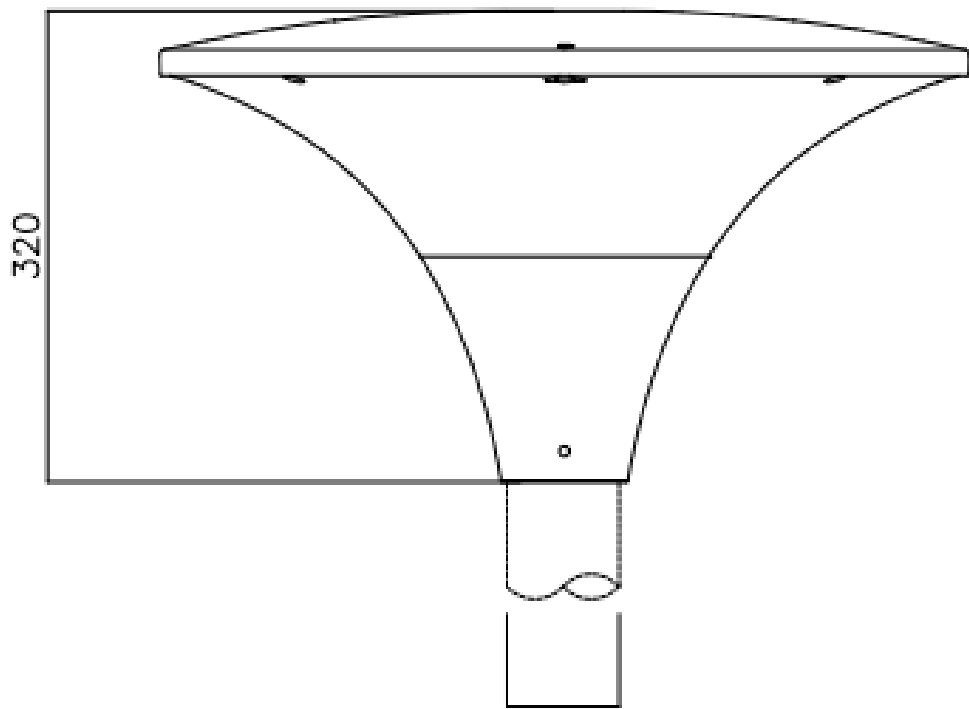
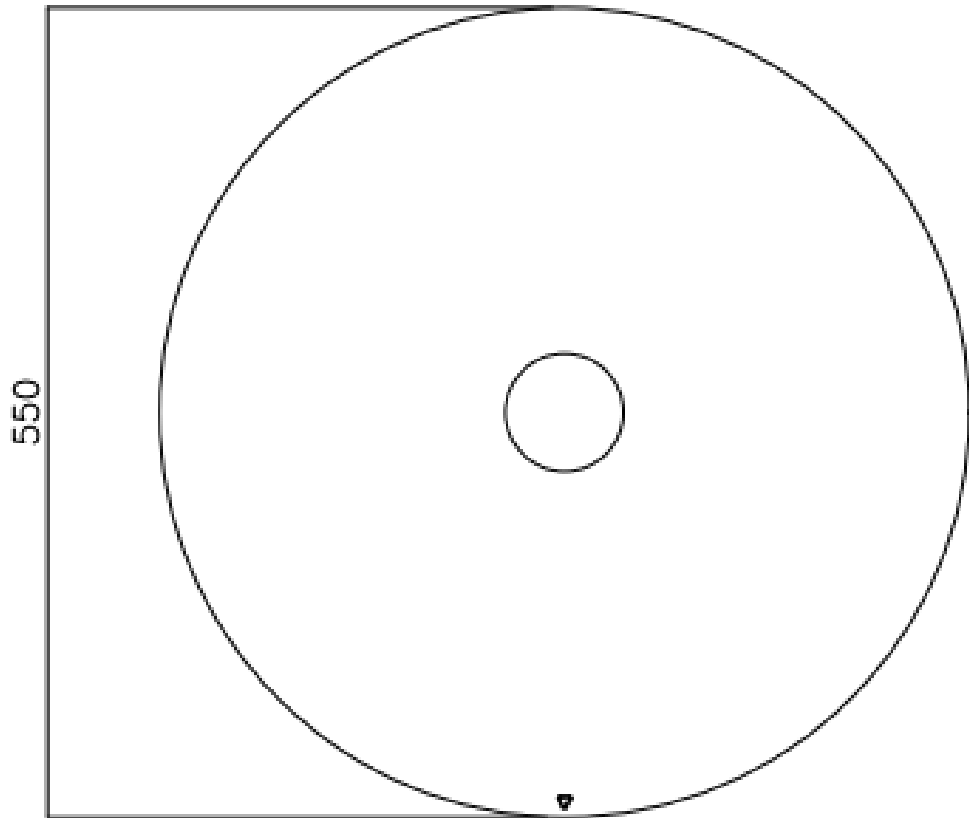
IP66 Rated Decorative LED Post Top Fitting  
 Die Cast Aluminium Body And Base Construction  
 Supplied With Pre-wired Flex



GENERAL INFORMATION	
Product Code	NCM20-30-40/GRY/PE1/827-30-40
Product Range	Street Lighting
Product Category	Street Lighting
IP Rating	66
IK Rating	IK10
Warranty	7 Years Unlimited
DIMENSION/WEIGHT	
Dimensions Circular (DIA x H) (mm)	DIA=550, H=N/A
Dimensions Square/Rectangular (L x W x H) (mm)	L=N/A, W=N/A, H=320
Cut-out Size (mm)	N/A
Product Weight (Kg)	N/A
CONSTRUCTION	
Body Material	Die Cast Aluminium
Body Colour	Grey
Optical Material	N/A
Optical Finish	N/A
Termination	6m LSOH 1.5mm3
Driver - Integal or Remote	Integral
PACKAGING	
Carton Dimensions (mm)	N/A
Quantity per Outer Carton	N/A
Total Weight inclc. Carton (Kg)	N/A

LUMINAIRE PERFORMANCE	
Energy Rating	N/A
Luminaire Lumens (lm)	2626 / 4043 / 5192
Power Consumption (W)	20 / 30 / 40
LED Lumens (lm/W)	N/A
Efficacy (l.lm/c.W)	132
Operating Temp. (Min/Max)	-30°C to 50°C
LIGHT SOURCE	
Type	LED
Correlated Colour Temp.	2700-3000-4000
Colour Rendering Index (CRI)	>80
Lumen Depreciation	L80 100000
SDCM	<3
ELECTRICAL INPUT	
VOLTAGE (V)	220-240V AC
Operating Frequency	50/60Hz
In Rush	N/A
Drivers per MCB*	B10=19 B16=31 C10=32 C16=51
Class	Class 1
Power Factor	>0.95
Cable Entry	Prewired
ELECTRICAL OUTPUT	
Forward Current (mA)	N/A
Forward Voltage (Vf)	N/A
EMERGENCY DATA	
Mode of Operation	N/A
Battery Duration	N/A
Battery Type	N/A
Battery Specification	N/A
Emergency Lumens	N/A
DIMMING	
DALI	N/A
OTHER	N/A
Switch Dim	N/A
Corridor Function	N/A
SENSORS	
Microwave	N/A
PIR	N/A
STANDARDS/APPROVALS	
CE Marked	Yes
Certificate of Conformity	Yes
Accreditations	N/A
BARCODE	
EAN NUMBER	N/A

\* GUIDE ONLY



ADAPTOR COLLAR TO SUIT  $\varnothing 60$

