

DATASHEET

JUPITER

Jupiter 150W LED UFO High Bay IP65 1-10V M3L 840

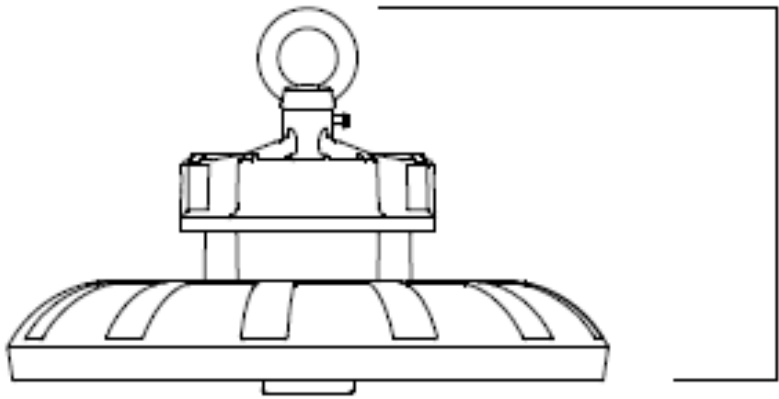
High Performing IP65 LED High Bay
 High Quality Die Cast Aluminium Construction
 Polycarbonate Front Suitable for Food Areas



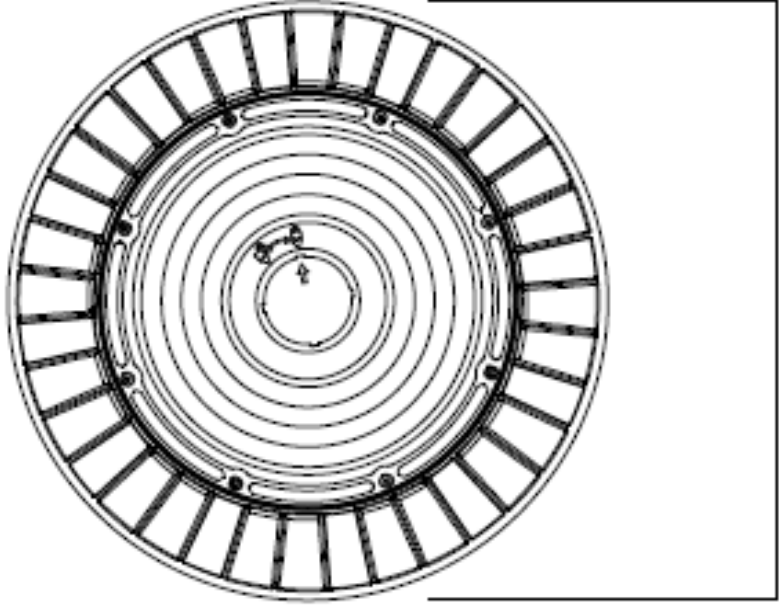
| GENERAL INFORMATION | |
|--|-----------------------|
| Product Code | NJP/150/1-10V/M3L/840 |
| Product Range | Industrial |
| Product Category | Industrial |
| IP Rating | 65 |
| IK Rating | 08 |
| Warranty | 7 Years Unlimited |
| DIMENSION/WEIGHT | |
| Dimensions Circular (DIA x H) (mm) | DIA=Ø280, H=185 |
| Dimensions Square/Rectangular (L x W x H) (mm) | L=0, W=0, H=0 |
| Cut-out Size (mm) | 0 |
| Product Weight (Kg) | 4.00 |
| CONSTRUCTION | |
| Body Material | Die Cast Aluminium |
| Body Colour | Black |
| Optical Material | N/A |
| Optical Finish | N/A |
| Termination | 1m H05 Flex |
| Driver - Intergal or Remote | Integral |
| PACKAGING | |
| Carton Dimensions (mm) | N/A |
| Quantity per Outer Carton | N/A |
| Total Weight incl. Carton (Kg) | N/A |

| LUMINAIRE PERFORMANCE | |
|------------------------------|--|
| Energy Rating | D |
| Luminaire Lumens (lm) | 23759 |
| Power Consumption (W) | 149 |
| LED Lumens (lm/W) | 190 |
| Efficacy (l.lm/c.W) | 159 |
| Operating Temp. (Min/Max) | 0°C 25°C |
| LIGHT SOURCE | |
| Type | LED |
| Correlated Colour Temp. | 4000 |
| Colour Rendering Index (CRI) | >80 |
| Lumen Depreciation | L80 100000 |
| SDCM | <3 |
| ELECTRICAL INPUT | |
| VOLTAGE (V) | 220-240V AC |
| Operating Frequency | 50/60Hz |
| In Rush | <80A @ 700us |
| Drivers per MCB* | B10=2 B16=4 B20=5 B25=6 C10=4 C16=7 C25=11 |
| Class | Class 1 |
| Power Factor | >0.95 |
| Cable Entry | Prewired |
| ELECTRICAL OUTPUT | |
| Forward Current (mA) | N/A |
| Forward Voltage (Vf) | N/A |
| EMERGENCY DATA | |
| Mode of Operation | Maintained |
| Battery Duration | 3Hour |
| Battery Type | LiFePO4 |
| Battery Specification | 9.6V 3.2V |
| Emergency Lumens | 0.0536 |
| DIMMING | |
| DALI | N/A |
| OTHER | 1-10V |
| Switch Dim | N/A |
| Corridor Function | N/A |
| SENSORS | |
| Microwave | Optional |
| PIR | N/A |
| STANDARDS/APPROVALS | |
| CE Marked | Yes |
| Certificate of Conformity | Yes |
| Accreditations | N/A |
| BARCODE | |
| EAN NUMBER | 5055943090354 |

* GUIDE ONLY



100/150W = 185
200W = 188



100W = \varnothing 260
150W = \varnothing 280
200W = \varnothing 300

