

DATASHEET

JUPITER

Jupiter 200W LED UFO High Bay IP65 1-10V 840

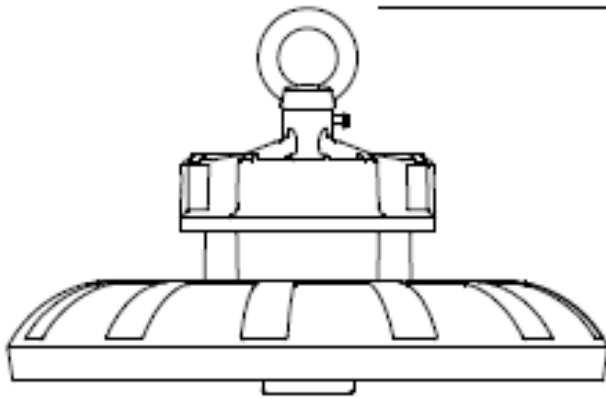
Energy Efficiency Classification Class C
 High Quality Die Cast Aluminium Construction
 Polycarbonate Front Suitable for Food Areas



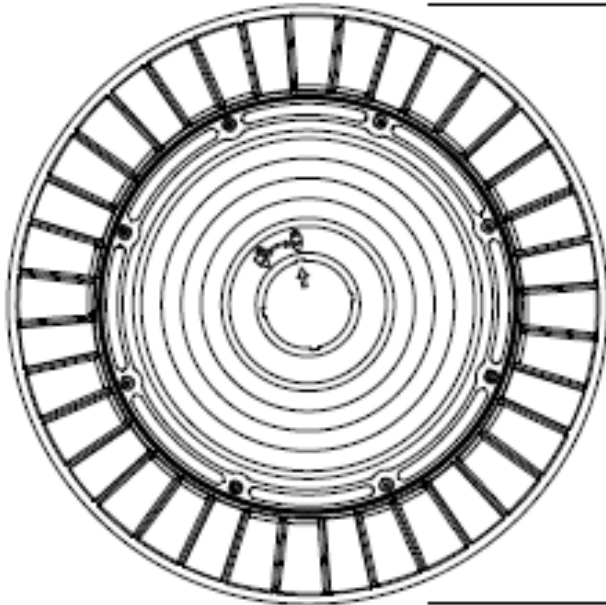
GENERAL INFORMATION	
Product Code	NJP/200/1-10V/840
Product Range	Industrial
Product Category	Industrial
IP Rating	65
IK Rating	08
Warranty	7 years
DIMENSION/WEIGHT	
Dimensions Circular (DIA x H) (mm)	DIA=Ø300, H=188
Dimensions Square/Rectangular (L x W x H) (mm)	L=0, W=0, H=0
Cut-out Size (mm)	0
Product Weight (Kg)	2.80
CONSTRUCTION	
Body Material	Die Cast Aluminium
Body Colour	Black
Optical Material	N/A
Optical Finish	N/A
Termination	1m H05 Flex
Driver - Integal or Remote	Integral
PACKAGING	
Carton Dimensions (mm)	33.3 x 33.3 x 18.3cm
Quantity per Outer Carton	1
Total Weight incl. Carton (Kg)	4.3

LUMINAIRE PERFORMANCE	
Energy Rating	D
Luminaire Lumens (lm)	31664
Power Consumption (W)	190
LED Lumens (lm/W)	190
Efficacy (l.lm/c.W)	167
Operating Temp. (Min/Max)	-30°C 45°C
LIGHT SOURCE	
Type	LED
Correlated Colour Temp.	4000
Colour Rendering Index (CRI)	>80
Lumen Depreciation	L80 100000
SDCM	<3
ELECTRICAL INPUT	
VOLTAGE (V)	220-240V AC
Operating Frequency	50/60Hz
In Rush	<80A @ 700us
Drivers per MCB*	B10=2 B16=4 B20=5 B25=6 C10=4 C16=7 C25=11
Class	Class 1
Power Factor	>0.95
Cable Entry	Prewired
ELECTRICAL OUTPUT	
Forward Current (mA)	N/A
Forward Voltage (Vf)	N/A
EMERGENCY DATA	
Mode of Operation	N/A
Battery Duration	N/A
Battery Type	N/A
Battery Specification	N/A
Emergency Lumens	N/A
DIMMING	
DALI	N/A
OTHER	1-10V
Switch Dim	N/A
Corridor Function	N/A
SENSORS	
Microwave	Optional
PIR	N/A
STANDARDS/APPROVALS	
CE Marked	Yes
Certificate of Conformity	Yes
Accreditations	N/A
BARCODE	
EAN NUMBER	5055943090330
E NUMBER	7216618
S NUMBER	4314342

* GUIDE ONLY



100/150W = 185
200W = 188



100W = \varnothing 260
150W = \varnothing 280
200W = \varnothing 300

