

DATASHEET

LYNX

Lynx 300W IP66 LED Asymmetric Floodlight 740

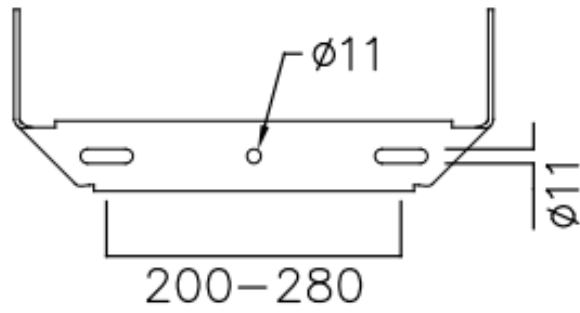
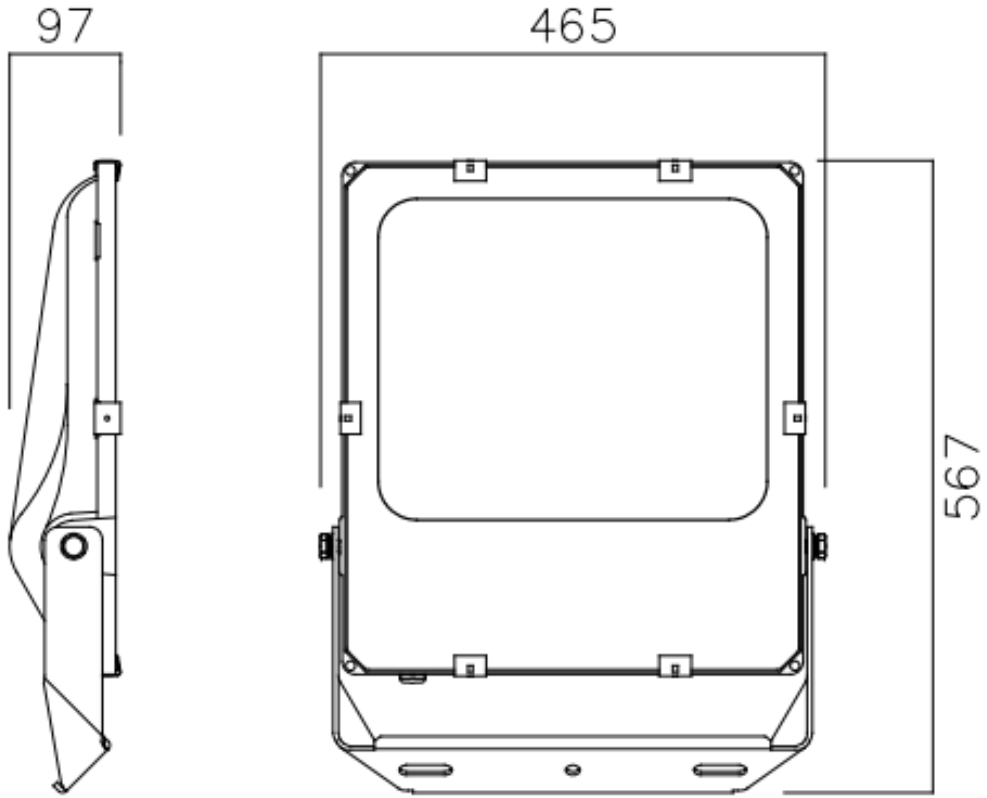
Energy Efficiency Classification Class D
 High Quality Die Cast Aluminium Construction
 Toughened Glass Front Panel



GENERAL INFORMATION	
Product Code	NLX300/740
Product Range	Floodlighting
Product Category	Floodlighting
IP Rating	66
IK Rating	IK08
Warranty	5 Years Unlimited
DIMENSION/WEIGHT	
Dimensions Circular (DIA x H) (mm)	DIA=N/A, H=N/A
Dimensions Square/Rectangular (L x W x H) (mm)	L=465, W=97, H=567
Cut-out Size (mm)	N/A
Product Weight (Kg)	9.5
CONSTRUCTION	
Body Material	Die Cast Aluminium
Body Colour	Black
Optical Material	N/A
Optical Finish	N/A
Termination	1.5m HO5RN-F Flex
Driver - Integal or Remote	Integral
PACKAGING	
Carton Dimensions (mm)	N/A
Quantity per Outer Carton	N/A
Total Weight incl. Carton (Kg)	N/A

LUMINAIRE PERFORMANCE	
Energy Rating	D
Luminaire Lumens (lm)	38710
Power Consumption (W)	300
LED Lumens (lm/W)	185
Efficacy (l.lm/c.W)	129
Operating Temp. (Min/Max)	0°C 25°C
LIGHT SOURCE	
Type	LED
Correlated Colour Temp.	4000
Colour Rendering Index (CRI)	>70
Lumen Depreciation	L80 100000
SDCM	<3
ELECTRICAL INPUT	
VOLTAGE (V)	220-240V AC
Operating Frequency	50
In Rush	80A @ 450us
Drivers per MCB*	B10=3 B16=6 C10=6 C16=12
Class	Class 1
Power Factor	>0.95
Cable Entry	Prewired
ELECTRICAL OUTPUT	
Forward Current (mA)	7600mA
Forward Voltage (Vf)	N/A
EMERGENCY DATA	
Mode of Operation	N/A
Battery Duration	N/A
Battery Type	N/A
Battery Specification	N/A
Ballast Lumen Factor (BLF)	N/A
DIMMING	
DALI	N/A
OTHER	N/A
Switch Dim	N/A
Corridor Function	N/A
SENSORS	
Microwave	N/A
PIR	N/A
STANDARDS/APPROVALS	
CE Marked	Yes
Certificate of Conformity	Yes
Accreditations	N/A
BARCODE	
EAN NUMBER	5055943062566
E NUMBER	7766531
S NUMBER	4544007

* GUIDE ONLY



FIXING

