

DATASHEET

LYNX PRO

Lynx Pro 150-225-300W IP66 LED Asymmetric Floodlight 727

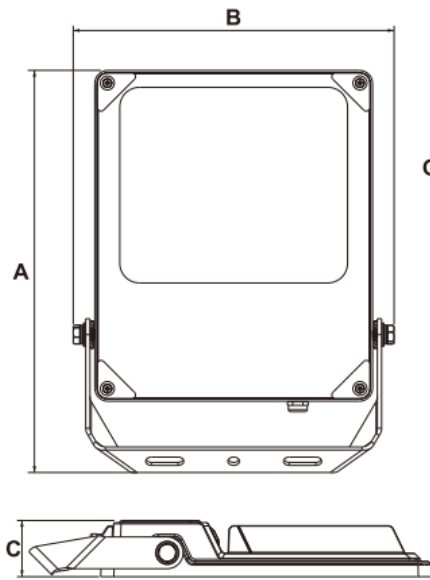
Salt Spray resistant (C4) for Coastal Areas
 High Quality Die Cast Aluminium Construction
 Toughened Glass Front Panel



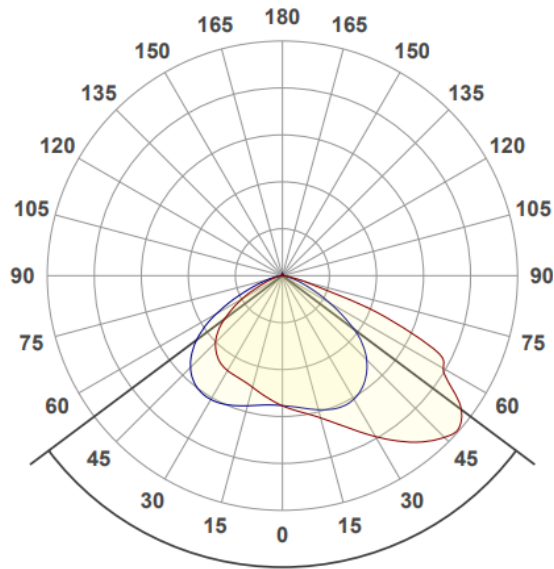
GENERAL INFORMATION	
Product Code	NLX/PRO/150-225-300/727
Product Range	Floodlighting
Product Category	Floodlighting
IP Rating	66
IK Rating	IK08
Warranty	7 Years
DIMENSION/WEIGHT	
Dimensions Circular (DIA x H) (mm)	DIA=N/A, H=N/A
Dimensions Square/Rectangular (L x W x H) (mm)	L=343, W=77, H=451
Cut-out Size (mm)	N/A
Product Weight (Kg)	N/A
CONSTRUCTION	
Body Material	Die Cast Aluminium
Body Colour	Black
Optical Material	N/A
Optical Finish	N/A
Termination	1.5m HO5RN-F Flex
Driver - Integal or Remote	Integral
PACKAGING	
Carton Dimensions (mm)	N/A
Quantity per Outer Carton	N/A
Total Weight incl. Carton (Kg)	N/A

LUMINAIRE PERFORMANCE	
Energy Rating	C
Luminaire Lumens (lm)	26668 / 37495 / 46934
Power Consumption (W)	150 - 225 - 300
LED Lumens (lm/W)	N/A
Efficacy (l.lm/c.W)	177 / 166 / 155
Operating Temp. (Min/Max)	-30°C 45°C
LIGHT SOURCE	
Type	LED
Correlated Colour Temp.	2700
Colour Rendering Index (CRI)	>70
Lumen Depreciation	L80 100000
SDCM	<3
ELECTRICAL INPUT	
VOLTAGE (V)	220-240V AC
Operating Frequency	50/60Hz
In Rush	60A @ 450us
Drivers per MCB*	B10=4 B16=8 C10=8 C16=16
Class	Class 1
Power Factor	>0.95
Cable Entry	Prewired
ELECTRICAL OUTPUT	
Forward Current (mA)	N/A
Forward Voltage (Vf)	N/A
EMERGENCY DATA	
Mode of Operation	N/A
Battery Duration	N/A
Battery Type	N/A
Battery Specification	N/A
Emergency Lumens	N/A
DIMMING	
DALI	N/A
OTHER	N/A
Switch Dim	N/A
Corridor Function	N/A
SENSORS	
Microwave	N/A
PIR	N/A
STANDARDS/APPROVALS	
CE Marked	Yes
Certificate of Conformity	Yes
Accreditations	N/A
BARCODE	
EAN NUMBER	5056673234780

* GUIDE ONLY



SIZE	A	B	C	D	E	F	G
50W	254	212	48	110	80	11	11
150W	318	263	53	140	100	11	11
300W	403	343	56	205	155	11	11



Beam angle **106.2°**