

DATASHEET

REBUS

Rebus/Rankin Root Mounting Kit

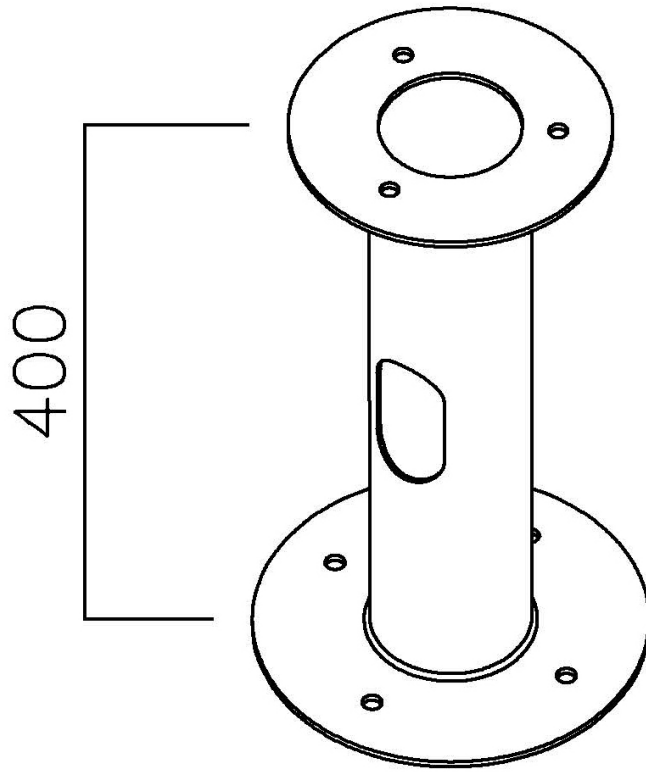
Root Mounting Kit
 UKCA CE Approved
 Certification of Conformity



GENERAL INFORMATION	
Product Code	NRB/RMKIT
Product Range	Amenity
Product Category	Amenity
IP Rating	N/A
IK Rating	N/A
Warranty	7 Years
DIMENSION/WEIGHT	
Dimensions Circular (DIA x H) (mm)	DIA=Ø119 PCD, H=400
Dimensions Square/Rectangular (L x W x H) (mm)	L=0, W=0, H=N/A
Cut-out Size (mm)	0
Product Weight (Kg)	0
CONSTRUCTION	
Body Material	Steel
Body Colour	N/A
Optical Material	N/A
Optical Finish	N/A
Termination	N/A
Driver - Integal or Remote	N/A
PACKAGING	
Carton Dimensions (mm)	N/A
Quantity per Outer Carton	N/A
Total Weight incl. Carton (Kg)	N/A

LUMINAIRE PERFORMANCE	
Energy Rating	N/A
Luminaire Lumens (lm)	N/A
Power Consumption (W)	N/A
LED Lumens (lm/W)	N/A
Efficacy (l.lm/c.W)	N/A
Operating Temp. (Min/Max)	N/A N/A
LIGHT SOURCE	
Type	N/A
Correlated Colour Temp.	N/A
Colour Rendering Index (CRI)	N/A
Lumen Depreciation	N/A
SDCM	N/A
ELECTRICAL INPUT	
VOLTAGE (V)	N/A
Operating Frequency	N/A
In Rush	N/A
Drivers per MCB*	N/A
Class	N/A
Power Factor	N/A
Cable Entry	N/A
ELECTRICAL OUTPUT	
Forward Current (mA)	N/A
Forward Voltage (Vf)	N/A
EMERGENCY DATA	
Mode of Operation	N/A
Battery Duration	N/A
Battery Type	N/A
Battery Specification	N/A
Ballast Lumen Factor (BLF)	N/A
DIMMING	
DALI	N/A
OTHER	N/A
Switch Dim	N/A
Corridor Function	N/A
SENSORS	
Microwave	N/A
PIR	N/A
STANDARDS/APPROVALS	
CE Marked	Yes
Certificate of Conformity	Yes
Accreditations	N/A
BARCODE	
EAN NUMBER	5055943042278

* GUIDE ONLY



ROOT MOUNTING KIT