

DATASHEET

ARLINGTON LIFE

Arlington LiFe Wire Suspension Kit

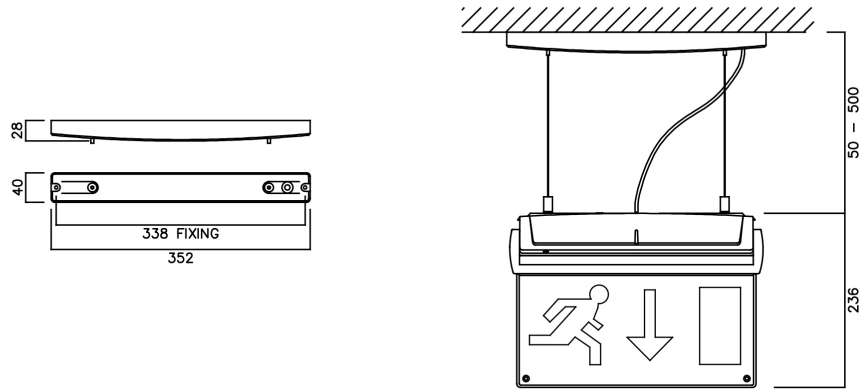
Wire Suspension kit
 White Polycarbonate Construction
 500mm Adjustment Via Clutch Mechanisms



GENERAL INFORMATION	
Product Code	NAL/WSK
Product Range	Emergency
Product Category	Emergency
IP Rating	N/A
IK Rating	N/A
Warranty	7 Years
DIMENSION/WEIGHT	
Dimensions Circular (DIA x H) (mm)	DIA=N/A, H=N/A
Dimensions Square/Rectangular (L x W x H) (mm)	L=352, W=40, H=28
Cut-out Size (mm)	N/A
Product Weight (Kg)	0.23
CONSTRUCTION	
Body Material	PC
Body Colour	N/A
Optical Material	N/A
Optical Finish	N/A
Termination	N/A
Driver - Intergal or Remote	N/A
PACKAGING	
Carton Dimensions (mm)	N/A
Quantity per Outer Carton	N/A
Total Weight incl. Carton (Kg)	N/A

LUMINAIRE PERFORMANCE	
Energy Rating	N/A
Luminaire Lumens (lm)	N/A
Power Consumption (W)	N/A
LED Lumens (lm/W)	N/A
Efficacy (Llm/c.W)	N/A
Operating Temp. (Min/Max)	0°C to 25°C
LIGHT SOURCE	
Type	N/A
Correlated Colour Temp.	N/A
Colour Rendering Index (CRI)	N/A
Lumen Depreciation	N/A
SDCM	N/A
ELECTRICAL INPUT	
VOLTAGE (V)	N/A
Operating Frequency	N/A
In Rush	N/A
Drivers per MCB*	N/A
Class	N/A
Power Factor	N/A
Cable Entry	N/A
ELECTRICAL OUTPUT	
Forward Current (mA)	N/A
Forward Voltage (Vf)	N/A
EMERGENCY DATA	
Mode of Operation	N/A
Battery Duration	N/A
Battery Type	N/A
Battery Specification	N/A
Ballast Lumen Factor (BLF)	N/A
DIMMING	
DALI	N/A
OTHER	N/A
Switch Dim	N/A
Corridor Function	N/A
SENSORS	
Microwave	N/A
PIR	N/A
STANDARDS/APPROVALS	
CE Marked	Yes
Certificate of Conformity	Yes
Accreditations	N/A
BARCODE	
EAN NUMBER	5055943063020
E NUMBER	7347968

* GUIDE ONLY



WIRE SUSPENSION KIT (RAL/WSK)