

## DATASHEET

### RENO

Reno 13W LED Grey 1M Bollard

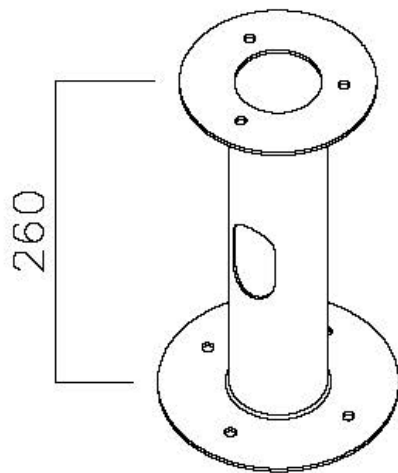
Energy Efficiency Classification G  
 Aluminium Extruded Body & Canopy Style head  
 Supplied With Pre-wired Flex



GENERAL INFORMATION	
Product Code	NRN/GRY/740
Product Range	Amenity
Product Category	Amenity
IP Rating	65
IK Rating	IK08
Warranty	5 Years
DIMENSION/WEIGHT	
Dimensions Circular (DIA x H) (mm)	DIA=Ø119/217, H=1000
Dimensions Square/Rectangular (L x W x H) (mm)	L=0, W=0, H=N/A
Cut-out Size (mm)	0
Product Weight (Kg)	4
CONSTRUCTION	
Body Material	Steel
Body Colour	Grey
Optical Material	N/A
Optical Finish	N/A
Termination	3-core flex
Driver - Integal or Remote	Integral
PACKAGING	
Carton Dimensions (mm)	1030x230x240
Quantity per Outer Carton	N/A
Total Weight incl. Carton (Kg)	4.3

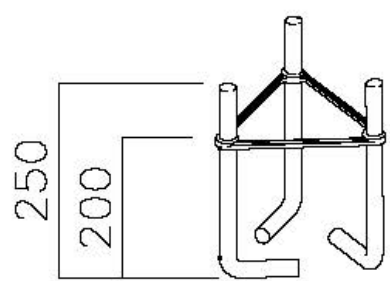
LUMINAIRE PERFORMANCE	
Energy Rating	N/A
Luminaire Lumens (lm)	950
Power Consumption (W)	13.3
LED Lumens (lm/W)	N/A
Efficacy (l.lm/c.W)	72
Operating Temp. (Min/Max)	-20°C to 25°C
LIGHT SOURCE	
Type	LED
Correlated Colour Temp.	4000
Correlated Rendering Index (CRI)	>70
Lumen Depreciation	L80 100000
SDCM	<3
ELECTRICAL INPUT	
VOLTAGE (V)	220-240V AC
Operating Frequency	50
In Rush	N/A
Drivers per MCB*	N/A
Class	Class 1
Power Factor	>0.95
Cable Entry	Prewired
ELECTRICAL OUTPUT	
Forward Current (mA)	-
Forward Voltage (Vf)	N/A
EMERGENCY DATA	
Mode of Operation	N/A
Battery Duration	N/A
Battery Type	N/A
Battery Specification	N/A
Ballast Lumen Factor (BLF)	N/A
DIMMING	
DALI	N/A
OTHER	N/A
Switch Dim	N/A
Corridor Function	N/A
SENSORS	
Microwave	N/A
PIR	N/A
STANDARDS/APPROVALS	
CE Marked	Yes
Certificate of Conformity	Yes
Accreditations	N/A
BARCODE	
EAN NUMBER	5055943072992
E NUMBER	7748690
S NUMBER	4544010

\* GUIDE ONLY



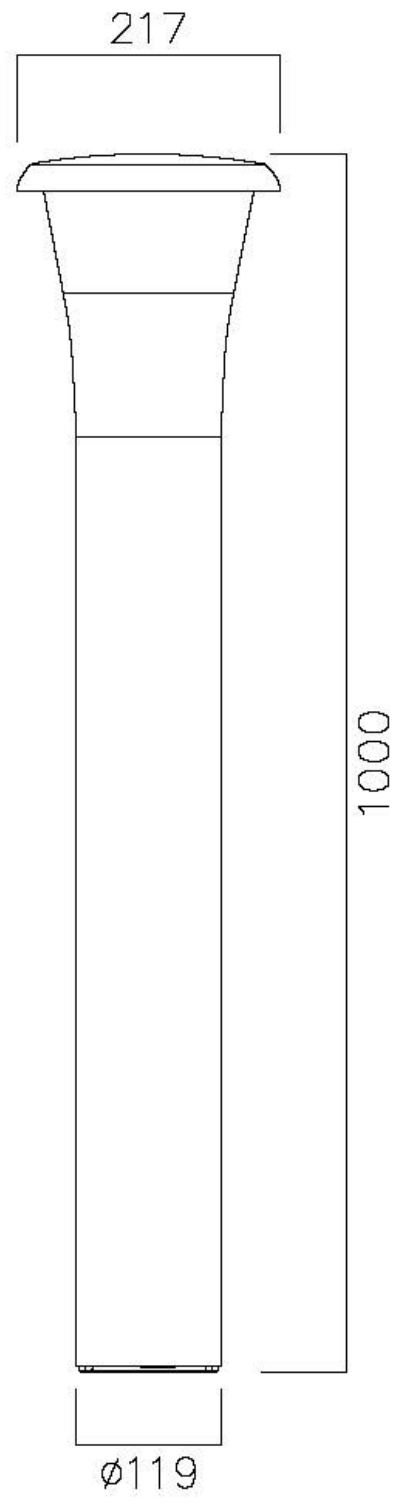
260

ROOT MOUNTING KIT



250  
200

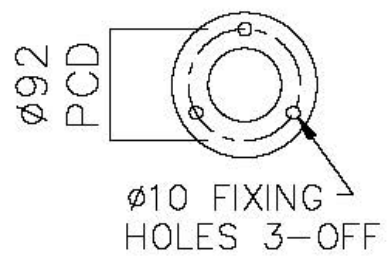
J BOLT KIT



217

1000

Ø119



Ø92  
PCD

Ø10 FIXING HOLES 3-OFF

