

ARLINGTON LIFE DAM3 DROP BLADE LED EXIT SIGN LUMINAIRE INSTRUCTIONS

Issue 01 29th September 2023

THANK YOU for buying this product. To help ensure it gives complete satisfaction, please install it according to these instructions and then pass the instructions to the appropriate person for retention and future reference.

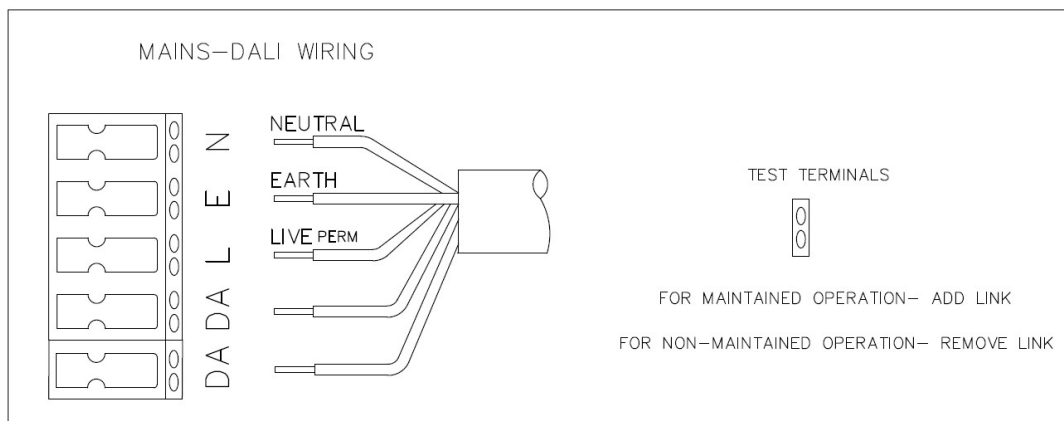
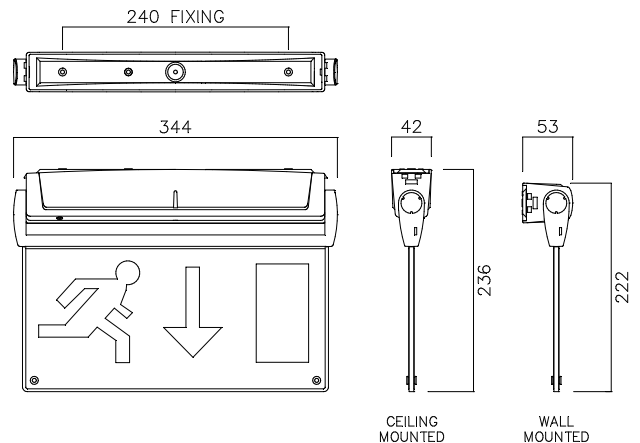
SAFETY This is a mains voltage powered luminaire. It is designed to be installed by suitably qualified personnel only and in accordance with the applicable building and electrical regulations. Before installation or maintenance, the electrical supply to the luminaire must be isolated.



INSTALLATION SUPPORT If installation advice or accessories are required, please contact us at the above address. When reporting a suspected fault or seeking installation support the problem is likely to be resolved more quickly if you have full product details to-hand, as well as details of when and where it was purchased.

LUMINAIRE INSTALLATION

1. The luminaire is suitable for wall or ceiling mounting. If mounting on the ceiling, leave the main body of the luminaire in its current position. If wall mounting, rotate the main body through 90 degrees (see diagram).
2. Unscrew the small screw located on one end of the luminaire body.
3. Using a small flat head screwdriver (in identified position), gently lever the base plate away from the main luminaire body.
4. Prepare the fixing surface (ceiling or wall) at the fixing centres shown in the diagram.
5. Drill through the central cable entry point provided on the base plate.
6. Pass the mains supply cable through the cable entry hole, offer the base plate up to the fixing surface & secure in position. Ensure the fixing method is capable of holding the weight of the luminaire. Screws & rawl plugs are provided.
7. Route the mains supply cable to the terminal block in the base plate & terminate, ensuring correct polarity is observed. A cable clamp is provided to restrain the cable.



8. Connect the battery pack to the 2-pole connector on the main PCB & write the "installed date" in allocated position.
9. Offer the main fitting body to the base plate, locate the notch at one end & rotate to fully cover the base plate.
10. Secure in position using the small screw.
11. Connect the power supply & check the green LED charge indicator illuminates.
12. The batteries should be allowed to charge, uninterrupted for at least 24 hours before carrying out a full discharge test to check they are charging correctly & the rated emergency duration is being achieved.
13. The operating temperature range of the luminaire is 0°C - +40°C.

ALTERNATIVE LEGEND PANELS (SUPPLIED SEPARATELY)

This product comes as standard with the Euro "Running Man legend with the DOWN arrow". Alternative direction Running Man legends & the ISO Running Man Through Door legends are also available from NVC – Please contact your local supplier.

To change legends:

1. Carefully pop apart the two clear plastic rivets located towards the bottom corners of the blade. Keep them safe.
2. Slide out the current legend panel.
3. Slide the top edge of the new legend panel into the head unit. Repeat for both sides.
4. Align the holes of the legends with the holes in the blade & secure using the two clear plastic rivets.

ALTERNATIVE MOUNTING OPTIONS (SUPPLIED SEPARATELY)

As standard this product suits either ceiling or wall mounting. There are further options via alternative mounting accessories available from NVC. This includes:

- Recessed mount kit
- Side wall mount kit
- Wire suspension kit

Please contact your local supplier

OPERATION / MAINTENANCE

1. **This luminaire uses a Lithium Iron Phosphate cell (LiFeP04) in its battery pack and is protected with a dedicated battery management system.**
2. If the battery is replaced, it is imperative that the exact type, including voltage, capacity and chemistry as the original manufacturer's battery is used. Please consult the manufacturer when replacing the battery.
3. Please ensure where applicable that the self-adhesive escape route legend (included) is oriented correctly, fixed securely, and that the viewing distance in line with BS 5499-4:2013 and BS EN 1838:2013 is not compromised.
4. Ensure cleanliness of luminaires is maintained so as not to affect the performance and/or compromise the light level.

DALI/AutoTest variants automatically test their function and performance in accordance with BS EN 62034 and BS EN 50172:2004.

A 30 second function test is performed automatically at 30-day intervals. This test can be initiated manually at any time by switching the live supply Off/On twice within 5 seconds.

Full duration tests are performed automatically once a year and can be manually initiated subsequent to an uninterrupted charge period of not less than 24 hours.

Note:

The control gear in this product defaults to its automatic self-test facility in the absence of a DALI subnet supply. As a consequence, tests may occur at any time and caution should be taken where this may be inconvenient, such as in hospitals, hospitals, and other premises with sleeping accommodation. The addition of the DALI subnet alleviates this as tests can be scheduled to occur at periods of low risk and least disturbance.

Commissioning:

On initial power up, DALI and AutoTest variants will begin an automatic commissioning process as outlined in the table below. The permanent live supply should not be interrupted during this process. During the process emergency operation will be inhibited.

LED Indication	Stage / Period	Status
Green 0.5Hz flash	1 - 24h	Initial Battery Charge
Green 0.5Hz flash	2 – Rated Duration	Duration Test
Green 0.5Hz flash	3 – 24h	Battery Recharge
Green with 10 second pulse	4 – Normal Operation	Commissioning Complete

LED Status Indicator:

LED Indication	Status
Green with 10 second pulse	Normal, Commissioned, Standby Mode
Green 0.5Hz flash	Commissioning or Duration Test in Progress
Green 2Hz flash	Function Test in Progress
Green double pulse, 10 seconds off	Rest Mode or Flat Battery
Red 0.5Hz flash	Charging or Battery Fault
Red 2Hz flash	Lamp Fault
Off	No Power and Battery Disconnected / Flat

DALI Communications:

DALI variants allow two-wire communication between the units 'DA' terminals and a central monitoring & control system designed to meet the standards of BS EN 62386, supporting parts 101, 102, and 202.

