

## ARLINGTON PRO (ISO LEGEND) LED EXIT SIGN LUMINAIRE INSTRUCTIONS

### Issue 02 18<sup>th</sup> February 2021

**THANK YOU** for buying this product. To help ensure it gives complete satisfaction please install it according to these instructions and then pass the instructions to the appropriate person for retention and future reference.

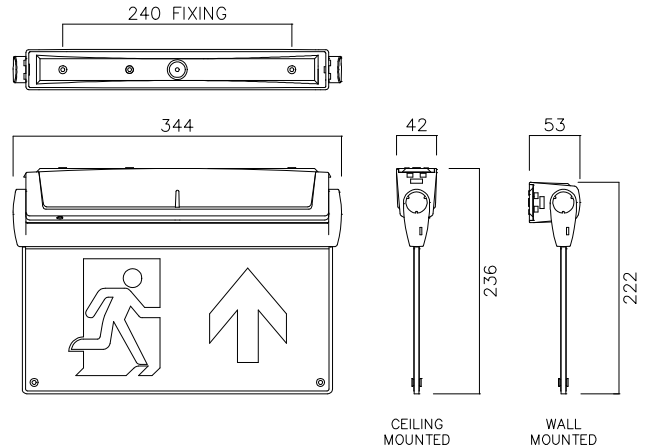
**SAFETY** This is a mains powered product. It is designed to be installed by suitably qualified personnel only and in accordance with the applicable building and electrical regulations. Before installation or maintenance the electrical supply to the product must be isolated.



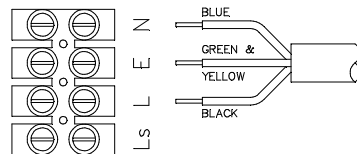
**INSTALLATION SUPPORT** If installation advice or accessories are required please contact us at the above address. We will do our best to help. When reporting a suspected fault or seeking installation support the problem is likely to be resolved most quickly if you have full product details to-hand, as well as details of when and where it was purchased.

#### LUMINAIRE INSTALLATION (CEILING OR WALL)

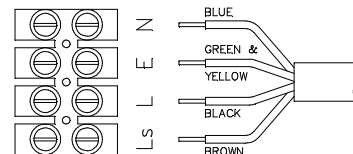
- Decide if mounting on ceiling or wall. If:
  - Ceiling** then leave main body of fitting in current position
  - Wall** then rotate the main body 90 degree (see diagram)
- Undo the small screw located on one end of the fitting body.
- Use a small flat head screwdriver (in identified position) to lever the base plate away from the main fitting body.
- Prepare the fixing surface (ceiling or wall) at the fixing centres shown in the diagram & provide a central mains supply cable.
- Drill open the central cable entry point on the base plate.
- Pass the mains supply cable through the cable entry hole in the fixing base plate, offer the base plate up to the fixing surface & secure. Ensure the fixing method is capable of holding the weight of the luminaire. Screws & rawl plugs are provided.
- Route the mains supply cable to the terminal block in the base plate & terminate, ensuring correct polarity is observed. A cable clamp is provided to restrain the cable.



FOR NON-MAINTAINED OPERATION



FOR MAINTAINED OPERATION (SWITCHABLE)



**NOTE! THIS LUMINAIRE MUST BE EARTHED** **NOTE! THIS LUMINAIRE NEEDS A PERMANENT LIVE SUPPLY**

- Connect the battery pack to the 2-pole connector on the main PCB & write the "installed date" in allocated position.
- Offer the main fitting body to the base plate, locate the notch at one end & rotate to fully cover the base plate.
- Secure in position using the small screw.
- Reconnect the power supply & check the green LED charge indicator illuminate.
- The batteries should be allowed to charge for at least 24 hours before carrying out a full discharge test to check they are charging correctly & the maintained duration is being achieved.

#### ALTERNATIVE LEGEND PANELS (SUPPLIED SEPARATELY)

This product comes as standard with an ISO "Running Man Through Door" legend fitted. Alternative legends are also available from NVC – Please contact your local supplier.

To change legends:

- Carefully pop apart the two clear plastic rivets located towards the bottom corners of the blade. Keep them safe.
- Slide out the current legend panel.
- Slide the top edge of the new legend panel into the head unit. Repeat for both sides.
- Align the holes of the legends with the holes in the blade & secure using the two clear plastic rivets.

#### ALTERNATIVE MOUNTING OPTIONS (SUPPLIED SEPARATELY)

As standard this product suits either ceiling or wall mounting. There are further options via alternative mounting accessories available from NVC. This includes:

- Recessed mount kit
- Side wall mount kit
- Wire suspension kit

Please contact your local supplier

**OPERATION / MAINTENANCE**

1. **This unit is using Lithium Iron Phosphate cell (LiFeP04) in its battery pack. These batteries require close monitoring and protection circuitry to operate safely. This pack uses a dedicated protection built into the module unit. Ensure like for like batteries are used in any replacement maintenance.**
2. Nominal battery life is designed to be at least 4 years. They should be replaced when they no longer achieve the 3 hour full duration.
3. This luminaire **MUST** be disconnected before the circuit it is installed on is subjected to any high voltage or insulation resistance testing, otherwise irreparable damage will occur to luminaire components.
4. Ensure cleanliness of luminaires is maintained so as not to affect performance.

**TESTING FOR EMERGENCY LUMINAIRES**

Recommended routine test procedures in line with BS 5266 & BS EN 50172:

**Monthly Functional Test**

- Simulate a mains supply failure by isolating the circuit (ensuring if it is safe to do so) or by way of a test key switch if fitted into the circuit. Alternatively there is a test button on the product.
- Do this for a period of time sufficient to check that the light source illuminates from the battery supply.
- Once complete, ensure the normal supply is restored & that the green LED charge indicator illuminates.
- Log result/comments in the Testing Log Book below.

**Annual Discharge Test**

- Simulate a mains supply failure by isolating the circuit (ensuring if it is safe to do so) or by way of a test key switch if fitted into the circuit.
- This should be for the full 3-hour rated duration.
- Check that the light source illuminates & remains illuminated for the full rated duration period.
- Once complete, ensure the normal supply is restored & that the green LED charge indicator illuminates.
- Log result/comments in the Testing Log Book below.

**TESTING LOG BOOK**

Luminaire Type: ..... Luminaire Location/No.: .....

MONTH	TEST	FIRST YEAR		SECOND YEAR		THIRD YEAR		FORTH YEAR		FIFTH YEAR	
		Signed	Date	Signed	Date	Signed	Date	Signed	Date	Signed	Date
1	FUNCTIONAL										
2	FUNCTIONAL										
3	FUNCTIONAL										
4	FUNCTIONAL										
5	FUNCTIONAL										
6	FUNCTIONAL										
7	FUNCTIONAL										
8	FUNCTIONAL										
9	FUNCTIONAL										
10	FUNCTIONAL										
11	FUNCTIONAL										
12	DISCHARGE										

Installed By: ..... Installed Date: .....  
 Contact Details: .....  
 .....