

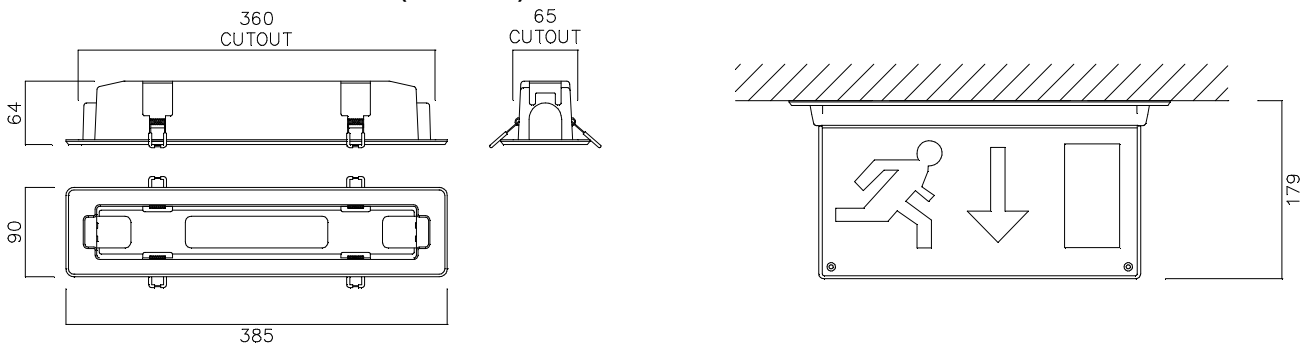
ARLINGTON PRO RECESSED MOUNTING KIT INSTRUCTIONS Issue 03 18th February 2021

THANK YOU for buying this product. To help ensure it gives complete satisfaction please install it according to these instructions and then pass the instructions to the appropriate person for retention and future reference.

INSTALLATION SUPPORT. If installation advice or accessories are required please contact us at the above address. We will do our best to help. When reporting a suspected fault or seeking installation support the problem is likely to be resolved most quickly if you have full product details to-hand, as well as details of when and where it was purchased.

NOTE! These instructions are to be used alongside the instructions provided with the main Arlington luminaire.

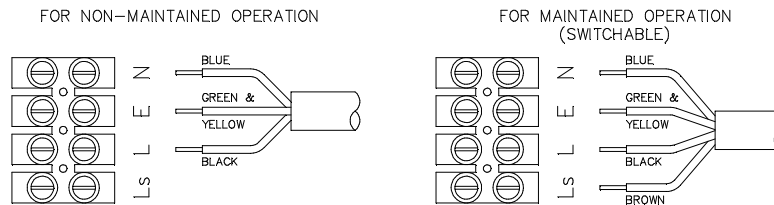
INSTALL RECESSED MOUNTING KIT (NAL/RMK)



1. Decide on mounting position & cut rectangular hole to sizes shown in the diagram above. Take care to avoid hidden pipework or structures.
2. Provide mains supply cable down through aperture & route down through the large hole in the top of the Recessed Mounting Bracket
3. Rotate the four springs (2 per side) to vertical position & insert the Recessed Mounting Bracket into the hole

PREPARE THE MAIN ARLINGTON LUMINAIRE (SUPPLIED SEPARATELY) & INSTALL TO MOUNTING BRACKET

1. Undo the small screw located on one end of the fitting body.
2. Use a small flat head screwdriver (in identified position) to lever the base plate away from the main fitting body.
3. Drill open the central cable entry point on the base plate.
4. Pass the mains supply cable through the cable entry hole in the fixing base plate & route to the terminal block in the base plate & terminate, ensuring correct polarity is observed. A cable clamp is provided to restrain the cable.



NOTE! THIS LUMINAIRE MUST BE EARTHED

NOTE! THIS LUMINAIRE NEEDS A PERMANENT LIVE SUPPLY

5. Connect the battery pack to the 2-pole connector on the main PCB & write the "installed date" in allocated position.
6. Refit the base plate to the main fitting by locating the notch at one end & rotate to fully cover the base plate.
7. Secure in position using the small screw.
8. Insert the main up into the Recessed Mounting Bracket & push until it "clips" in position, making sure no mains cable is trapped behind.
9. Reconnect the power supply & check the green LED charge indicator illuminate.
10. The batteries should be allowed to charge for at least 24 hours before carrying out a full discharge test to check they are charging correctly & the maintained duration is being achieved.