

## ARLINGTON PRO WIRE SUSPENSION KIT INSTRUCTIONS

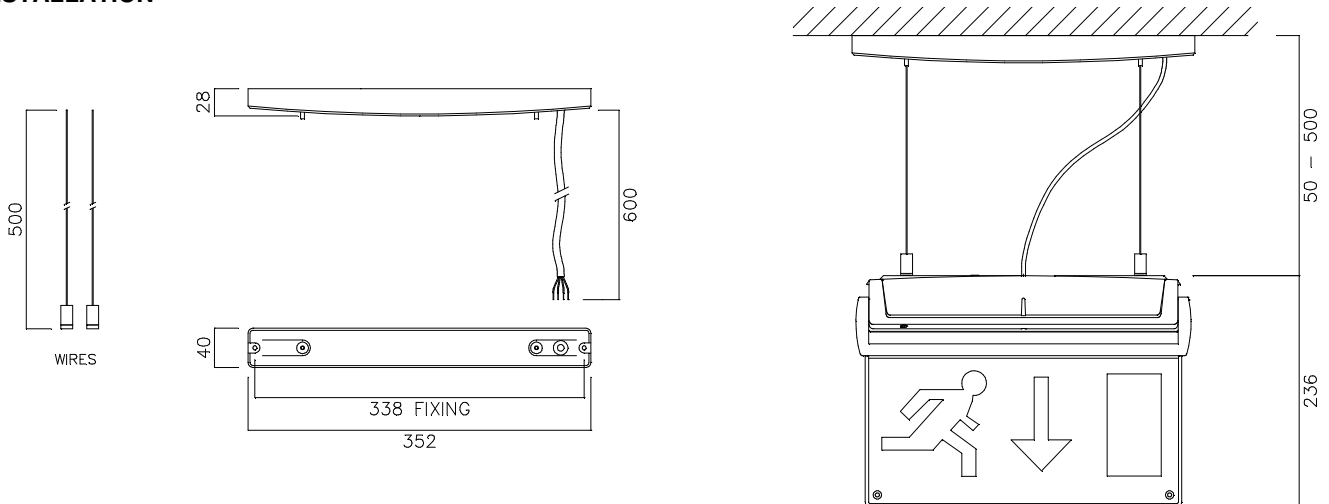
Issue 03 18<sup>th</sup> February 2021

**THANK YOU** for buying this product. To help ensure it gives complete satisfaction please install it according to these instructions and then pass the instructions to the appropriate person for retention and future reference.

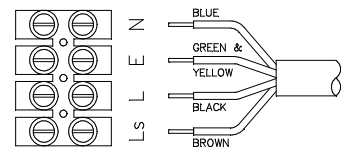
**INSTALLATION SUPPORT.** If installation advice or accessories are required please contact us at the above address. We will do our best to help. When reporting a suspected fault or seeking installation support the problem is likely to be resolved most quickly if you have full product details to-hand, as well as details of when and where it was purchased.

**NOTE!** These instructions are to be used alongside the instructions provided with the main Arlington luminaire.

### INSTALLATION



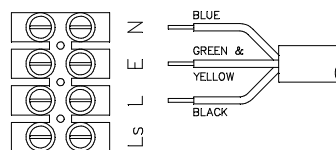
1. On the main Arlington luminaire, undo the small screw located on one end of the fitting body.
2. Use a small flat head screwdriver (in identified position) to lever the base plate away from the main fitting body.
3. Drill open the central cable entry point on the base plate.
4. Open pack containing the suspension wires (x2), then:
  - a. Unscrew the end of the finials to remove the small part.
  - b. Fix the small part of the finial to the top of the main luminaire base plate (use the pre drilled fixing holes at 240mm centres) using the M4 x 8 countersunk screws, serrated washers & M4 nuts.
  - c. Screw the main part of the wire suspension finial back on to the small part
5. Offer the free end of the suspension wires to the clutch mechanisms on Wire Suspension Kit head unit & push through until the wire is gripped. The clutch can be pushed in to the release the wire.
6. Pass the free end of the cable supplied fitted to the Wire Suspension Kit head unit through the cable entry hole on the main luminaire base plate & terminate, ensuring correct polarity is observed (see diagram on right). A cable clamp is provided to restrain the cable.
7. Connect the battery pack to the 2-pole connector on the main PCB & write the "installed date" in allocated position.
8. Refit the base plate to the main fitting by locating the notch at one end & rotate to fully cover the base plate.
9. Secure in position using the small screw.
10. Decide on mounting position on ceiling & provide a mains supply cable. Off the product up & route the cable to the terminal block in the Wire Suspension Kit head unit.
11. Terminate ensuring correct polarity is observed (as per diagrams on right). A cable clamp is provided to restrain the cable.



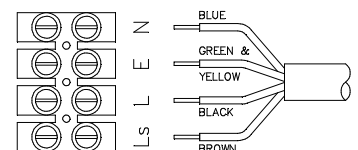
**NOTE! THIS LUMINAIRE MUST BE EARTHED**

**NOTE! THIS LUMINAIRE NEEDS A PERMANENT LIVE SUPPLY**

FOR NON-MAINTAINED OPERATION



FOR MAINTAINED OPERATION (SWITCHABLE)



12. Secure the base to the mounting surface using a suitable method to support the weight of the main luminaire. Rawl plugs & screws are provided.
13. Reconnect the power supply & check the green LED charge indicator illuminate.
14. The batteries should be allowed to charge for at least 24 hours before carrying out a full discharge test to check they are charging correctly & the maintained duration is being achieved.