

KELSO LED INSTRUCTIONS

Issue 06 on 6th March 2021

THANK YOU for buying this product. To help ensure it gives complete satisfaction please install it according to these instructions, and then pass the instructions to the appropriate person for retention and future reference.

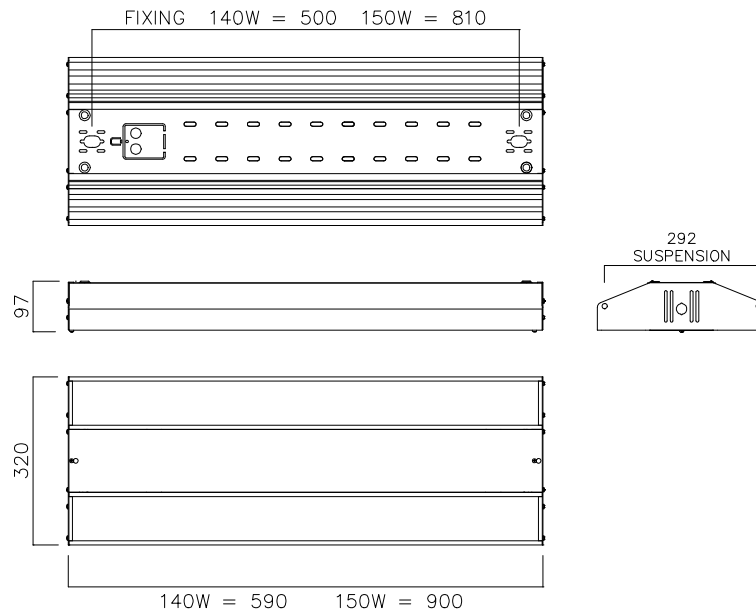
SAFETY This is a mains powered product. It is designed to be installed by suitably qualified personnel only and in accordance with the applicable building and electrical regulations. Before installation or maintenance the electrical supply to the product must be isolated.



INSTALLATION SUPPORT If installation advice or accessories are required, please contact us at the above address. We will do our best to help. When reporting a suspected fault or seeking installation support, the problem is likely to be resolved most quickly if you have full product details to-hand, as well as details of when and where it was purchased.

LUMINAIRE INSTALLATION

- The luminaire is able to be fixed via the following methods; once chosen, prepare the ceiling/mounting points ensuring the chosen fixing surface/mechanism is sufficient to support the luminaire weight:
 - Chain or Wire suspension:** 10mm holes are provided in each corner of the end plates. You should be able to connect your chosen suspension method without having to enter or disassemble the housing.
 - Besa fixing points:** to access loosen the two screws and slide the front cover plate to align the keyhole slots and remove. Offer the fitting up to the fixing surface & secure using the besa fixing points at centres in the base.



- Mains supply connection is achieved via one of the following methods:
 - Suspended installation:**
 - locate the terminal access flap on the rear of the luminaire, remove the securing screw and bend up to expose the terminal block.
 - Pass the mains supply cable through one of the cable entry holes in the terminal access flap and route to the terminal block. Terminate as indicated, ensuring correct polarity is observed. Close the terminal cover plate & secure in place by tightening the screw.
 - Surface mounted installation:**
 - Locate the cable entry points on the rear of the luminaire and run the cable through one of the cable entry points.
 - To access the mains terminal block remove the front cover by loosening the two screws and slide the front cover plate to align the keyhole slots and remove.
 - Terminate the cables ensuring correct polarity is observed, replace the front cover and tighten the two screws.
- WARNING: THIS LUMINAIRE MUST BE EARTHED**
- Reconnect power supply & check for correct operation. As these luminaires are fitted with electronic drivers they are exempt from insulation resistance tests, as this may cause damage to the driver.

MAINTENANCE

Cleaning should be carried out at regular intervals so as not impair photometric performance or thermal safety of the luminaire.