

## LYNX LED FLOODLIGHT INSTRUCTIONS

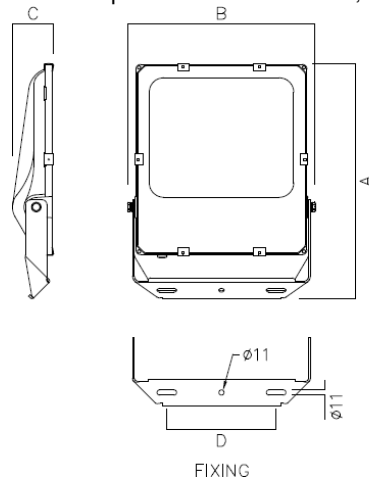
### Issue 05 on 6<sup>th</sup> March 2021

**THANK YOU** for buying this product. To help ensure it gives complete satisfaction please install it according to these instructions and then pass the instructions to the appropriate person for retention and future reference.

**SAFETY** This is a mains powered product. It is designed to be installed by suitably qualified personnel only and in accordance with the applicable building and electrical regulations. Before installation or maintenance the electrical supply to the product must be isolated.



**INSTALLATION SUPPORT** If installation advice or accessories are required please also contact us at the above address. We will do our best to help. When reporting a suspected fault or seeking installation support the problem is likely to be resolved most quickly if you have full product details to-hand, as well as details of when and where it was purchased.



SIZE	A	B	C	D
50W	314	240	63	100-140
100W	418	330	77	130-190
150W	451	330	77	130-190
200W	494	395	87	200-260
300W	567	465	97	200-280

### LUMINAIRE INSTALLATION

1. Secure the luminaire into its required fixing position using the fixing holes/slots provided in the stirrup mounting bracket (see diagrams above), ensuring the chosen method is sufficient to support the luminaire weight.
2. To rotate the luminaire to the required angle, loosen the two hinge bolts where the stirrup bracket joins the main fitting, rotate to required position, then retighten to secure.
3. The luminaire is supplied with a power supply lead already attached. Route the free end to a suitably IP rated connection point (minimum IP66) & terminate ensuring correct polarity is observed.  
**WARNING: THIS LUMINAIRE MUST BE EARTHED**
4. Reconnect power supply & check for correct operation.

### MAINTENANCE

The luminaire should be switched off & allowed to cool before any maintenance is carried out.

1. Cleaning of the glass front cover should be carried out at regular intervals so as not to impair photometric performance.
2. Dust should not be allowed to accumulate on the rear of the product as this will affect the thermal performance of the heat sink.