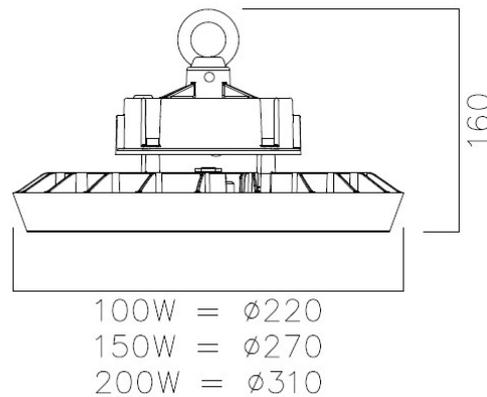


PURCHASE SPECIFICATION – NEPTUNE



The Neptune product range is to be as detailed in following issued document:

- Product Range – Neptune

It is to be based on the NVC product range with the following key specifications:

1. Aluminium die cast main body:
 - Casting must be free from scratched or dents
 - Painted matt black, but left unpainted where LED light engine is secured
2. 1.6mm thick, UV STABLE clear PC panel; Secured to main body by M3 x 10 pozi pan head screws
3. Gasket fitted to body to provide IP65 seal for PC panel
4. Complete fitting to minimum IP65 rated
5. LED Light Engine:
 - MCPCB, screw fixed to body casting using M3 x 6 pozi pan head screws
 - Thermal paste applied between MCPCB & body casting
 - MCPCB fitted with 2835 SMD LEDs
 - LED's: 100W=260, 150W=390, 200W=520
 - CCT .../840 = 4000K +/- 300K
 - SDCM <=5
 - CRI >0.80, R9 >0
 - PF>0.90
 - DC supply wires soldered to the MCPCB
6. LED drivers :
 - Fixed to top of main body casting, using 4x allen key head screws & washers
 - Drivers:
 - 100W = MOSO G6-120M260T
 - 150W = MOSO G6-160M260T
 - 200W = MOSO G6-200M260T
 - With fitted H05 mains supply cable (free end to be stripped & ferruled ready for connection), to be 2m +/- 50mm
 - With fitted H05 DC supply cable, routed into main body casting for connection to LED MCPCB; Cable gland to be used to seal to IP65, Cable connections need to be suitably labelled
7. Nuts & washers to be carbon steel internally and stainless steel externally
8. Suspension eyelet to be supplied not fitted, but located in easy to find position in carton
9. All components and the finished products must be CE compliant (EMC, LVD & ROHS) and built in accordance with the relevant sections of EN60598
10. NVC F Wholesale - Fitting Label (specified separately) to be positioned on side wall of the LED driver case
11. To be packed in plain, full wrap inner carton, Internal packing pieces to ensure safe transit of product
12. NVC MI MEDIUM Wholesale - Inner Carton label to be applied folded around side wall & end face of carton (so visible when stacked)
13. For packaging & labelling details see the following issued documents:
 1. NVC F Wholesale - Fitting Label
 2. NVC MI MEDIUM Wholesale - Inner Carton Label

Note: Actual document names will contain Issue number & date. Please ensure you use the latest version. If in doubt then please check with the UK.