

PASCO LED BULKHEAD INSTRUCTIONS Issue 01 on 20th June 2023

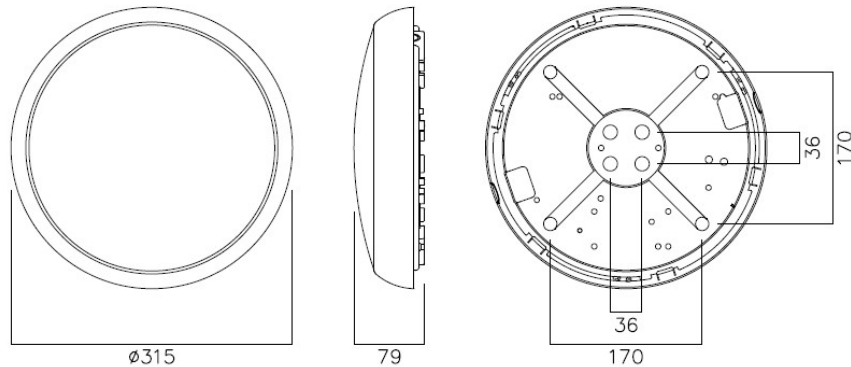
THANK YOU for buying this product. To help ensure it gives complete satisfaction please install it according to these instructions and then pass the instructions to the appropriate person for retention and future reference.

SAFETY This is a mains powered product. It is designed to be installed by suitably qualified personnel only and in accordance with the applicable building and electrical regulations. Before installation or maintenance the electrical supply to the product must be isolated.



INSTALLATION SUPPORT If installation advice or accessories are required please contact us at the above address. We will do our best to help. When reporting a suspected fault or seeking installation support the problem is likely to be resolved most quickly if you have full product details to-hand, as well as details of when and where it was purchased.

INSTALLATION



1. Remove the diffuser & front bezel from the base by removing the 3 safety screws and turning anti-clockwise.
2. Release the hinged LED PCB tray by undoing the twist lock mechanism.
3. Prepare the mains supply cable & fixing points on the chosen mounting surface ensuring it is able to retain the weight of the luminaire.
4. Pass the mains supply cable through the cable entry hole, offer the base to the mounting surface & secure using the screws provided.
Note! It is the installer's responsibility to ensure the fixing points & cable entry point are appropriately sealed to maintain the IP rating
5. Route the mains supply cable to the terminal block in the base & terminate ensuring correct polarity is observed.
Note! This luminaire must be earthed
6. Set the required output wattage using the **DIP switch** on the driver to **9W, 14W or 18W**.
7. Refit the LED PCB tray (opposite of point 2) & secure using the twist lock mechanism.
8. Select the required colour temperature using the **3-way slider switch (WW-3000K, NM-4000K or CW-6500K)**
9. Refit the diffuser & front bezel by locating & rotating clockwise.
10. **To maintain the IP65 rating align the diffuser and base holes then use the 3 x small safety screws removed in step 1 to secure the diffuser back in place.**
11. Reconnect power supply & check for correct operation.
Note! Luminaires fitted with electronic drivers are exempt from insulation resistance tests as this may cause damage to the drivers.

MAINTENANCE

1. Cleaning should be carried out at regular intervals so as not impair photometric performance or thermal safety of the luminaire.

GENERAL MAINTAINED EMERGENCY LUMINAIRE INSTRUCTIONS
Issue 07: 25/05/2022

These instructions should be followed in conjunction with the standard luminaire instructions. Please read carefully and pass to the end user/responsible person for retention and future reference.

INSTALLATION

1. Following the installation of the luminaire in accordance with the standard luminaire installation instructions, a separate permanent live supply should be terminated in the incoming supply terminal block in the luminaire, in the connection marked 'L PERM'. The permanent supply **MUST** be taken from the same phase as the corresponding switched supply and **MUST** be wired at the switchboard so that upon instances of tests, it is isolated at the same time as the switched supply.
2. Once the permanent live supply is connected, connect the battery to the module via the 'plug and mate' connector, ensuring correct polarity is observed. Failure to observe correct battery polarity will result in permanent damage to the emergency module/driver.
3. N.B. to avoid potential damage to the battery please ensure the permanent live is energized as soon as possible following connection of the battery to the module.
4. Upon restoration of the power supply to the luminaire, check that the indicator LED fitted within the luminaire illuminates green. This indicates that the batteries are charging and that the charging circuit is healthy.
5. Allow the battery to charge for an uninterrupted period of not less than 24 hours prior to carrying out a full discharge test.

MAINTENANCE

6. The battery pack in this luminaire must be replaced when it is no longer able to satisfy its full rated duration.
7. In emergency mode the light level of the luminaire will be at a reduced output. Regular maintenance and gentle cleaning are recommended so as to ensure that the Emergency Output Factor (E.O.F) remains at specified levels.
8. Isolate the supply before servicing.
9. Please ensure that the emergency flux is not compromised at any time throughout the luminaires design life.
10. **DO NOT INSULATION TEST**

Caution:

The battery pack in this luminaire is a Lithium Iron Phosphate (LiFePO₄) type which includes a dedicated protection circuit. If replacing the battery pack, the specification and chemistry must be identical to that detailed on the battery label.

TESTING OF EMERGENCY LUMINAIRES:

Recommended routine test procedures in line with BS 5266-1:2016 & BS EN 50172:2004.