

## SENECA RECESSED PRO SELF TEST LED EMERGENCY DOWNLIGHT INSTRUCTIONS

Issue 04 18<sup>th</sup> February 2021

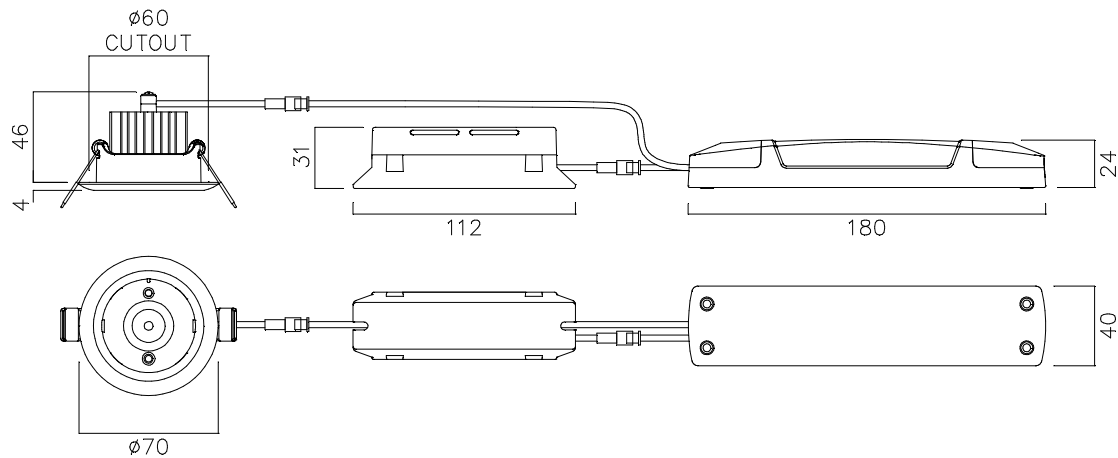
**THANK YOU** for buying this product. To help ensure it gives complete satisfaction please install it according to these instructions and then pass the instructions to the appropriate person for retention and future reference.

**SAFETY** This is a mains powered product. It is designed to be installed by suitably qualified personnel only and in accordance with the applicable building and electrical regulations. Before installation or maintenance the electrical supply to the product must be isolated.



**INSTALLATION SUPPORT** If installation advice or accessories are required please contact us at the above address. We will do our best to help. When reporting a suspected fault or seeking installation support the problem is likely to be resolved most quickly if you have full product details to-hand, as well as details of when and where it was purchased.

### LUMINAIRE INSTALLATION



1. Decide mounting position in ceiling & cut 60mm diameter hole. Care should be taken to:
  - o avoid structures, wiring or pipe work that may be in the ceiling void
  - o not exceed the specified cutting diameter so as not to expose the cut edge
  - o remove any thermal insulation from the area, so the luminaire is not covered
2. Pass the mains supply cable down through the hole & route to the remote module unit. This luminaire requires an **UNSWITCHED** live supply.
3. Unclip the terminal cover marked "AC Input" from the module unit.
4. Terminate the mains supply cable ensuring correct polarity is observed. This is a Class 1 fitting, so needs to be earthed.
5. Fit the outer sleeving of the cable into the moulded cable restraint & refit the termination cover.
6. Connect the battery pack using the large opal connectors.
7. Enter the "Installation Date" in the appropriate place on the battery pack label.
8. Connect the LED lamp head using the small black connectors.
9. Fit the luminaire into the ceiling by:
  - o Inserting the module unit into the ceiling void by passing it through the hole & laying it in position, ensuring stable location onto the ceiling.
  - o Inserting the battery pack into the ceiling void by passing it through the hole & laying it in position, ensuring stable location onto the ceiling.
  - o Squeeze the springs on the lamp head into a vertical position, then insert into the hole & release to allow the springs pull the lamp up & retain it in position.
10. Reconnect the power supply & check the green indicator LED illuminates.

### LENS SELECTION

The luminaire comes fitted with a wide symmetrical distribution lens as standard. There is an option to change to the oval corridor distribution lens (supplied loose with lamp head unit) by following the below steps:

1. Remove the wide distribution lens by inserting a small flat head screw driver into one of the two the recessed slots on the edge of the inner white disc. This will unclip the lens & the white moulded holder.
2. Off the oval corridor distribution lens with its white moulded holder up to the front of the head unit, aligning the small notch with the slot (to ensure correct alignment), then press to clip it in position.

### MAINTENANCE

1. **This unit is using Lithium Iron Phosphate cell (LiFeP04) in its battery pack. These batteries require close monitoring and protection circuitry to operate safely. This pack uses a dedicated protection built into the module unit. Ensure like for like batteries are used in any replacement maintenance.**

**SELF TEST FUNCTION**

This product comes with a built in self-test facility. Once given a permanent mains supply, the luminaire will automatically carry out a monthly functional check & an annual full duration test, in line with the testing procedures to BS 5266.

**Initial Test**

- After receiving a permanent mains power supply, the luminaire will now charge for 24 hours before carrying out a 3 hour duration test.
- During this test the LED module will illuminate & the green LED indicator will go out.

**Monthly Function Test**

- After installation the luminaire will carry out a 30 second function test. This will be selected randomly between day 15 to day 30 after installation so all self-test products do not go into test mode at the same time.
- During this test the LED module will illuminate & the green LED indicator will go out.
- This test will then be repeated every 30 days.

**Annual Duration Test**

- After 11 monthly function tests, the luminaire will carry a duration test..
- The test will last 3 hours.
- During this time the LED module will illuminate & the green LED indicator will go out.

**FAULT INDICATORS**

If during the self testing a fault is detected, these will be indicated as follows by the RED LED indicator:

- **1 flash every 3 seconds** – Fault with battery. Maybe a battery failure & requires changing, or not connected properly.
- **2 flashes every 3 seconds** – Fault with LED module.
- **3 flashes every 3 seconds** – Duration time not being met so batteries will need to be replaced.

**NOTES**

1. After completion of tests listed above the luminaire will repeat the process of 11 monthly function tests & 1 annual duration test.
2. If there was a power outage before any of the tests, the luminaire will delay the test appropriately to ensure a minimum 24 hours charge is received.
3. A fault indicator will continue until the fault is fixed.
4. A reset of the mains supply will be required to get the fault to clear after it has been fixed.

**MANUAL TESTING**

As this is a self-test product this is NOT recommended.

A manual test can still be initiated by isolating the permanent live supply (e.g. via a keyswitch) for as long as required to check function/duration BUT choosing to do this extra manual testing over and above the self-testing WILL affect lifetime of the batteries & may result in them not meeting full rated life.

This would void any warranty with NVC.

For this use we would recommend our non-Self Test version of this product.

**TESTING LOG BOOK**

Luminaire Type: ..... Luminaire Location/No.: .....

MONTH	TEST	FIRST YEAR		SECOND YEAR		THIRD YEAR		FORTH YEAR		FIFTH YEAR	
		Signed	Date	Signed	Date	Signed	Date	Signed	Date	Signed	Date
1	FUNCTIONAL										
2	FUNCTIONAL										
3	FUNCTIONAL										
4	FUNCTIONAL										
5	FUNCTIONAL										
6	FUNCTIONAL										
7	FUNCTIONAL										
8	FUNCTIONAL										
9	FUNCTIONAL										
10	FUNCTIONAL										
11	FUNCTIONAL										
12	DISCHARGE										

Installed By: ..... Installed Date: .....

Contact Details: .....