

SYRACUSE LED EMERGENCY DOWNLIGHT INSTRUCTIONS

Issue 01 27th April 2021

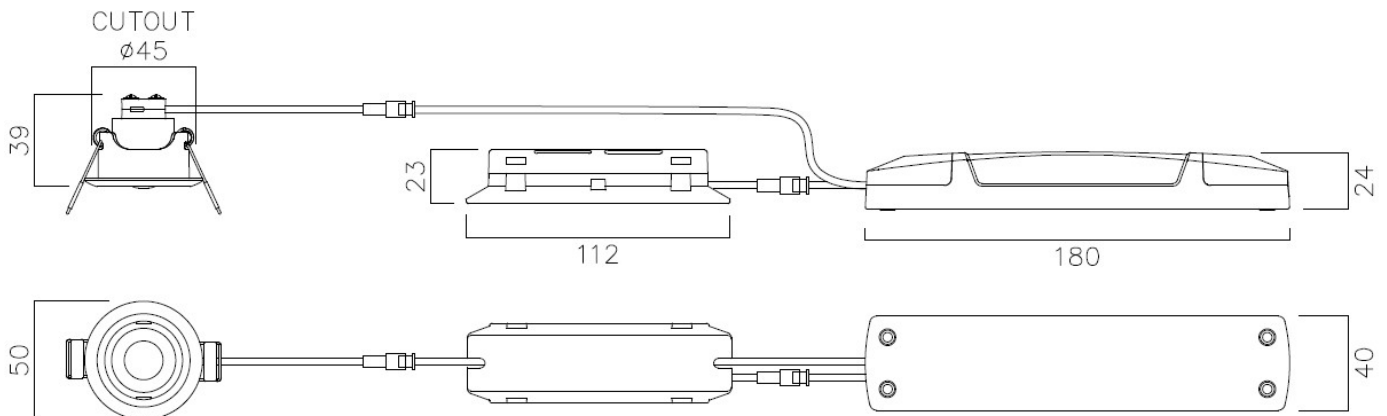
THANK YOU for buying this product. To help ensure it gives complete satisfaction please install it according to these instructions and then pass the instructions to the appropriate person for retention and future reference.

SAFETY This is a mains powered product. It is designed to be installed by suitably qualified personnel only and in accordance with the applicable building and electrical regulations. Before installation or maintenance the electrical supply to the product must be isolated.



INSTALLATION SUPPORT If installation advice or accessories are required please contact us at the above address. We will do our best to help. When reporting a suspected fault or seeking installation support the problem is likely to be resolved most quickly if you have full product details to-hand, as well as details of when and where it was purchased.

LUMINAIRE INSTALLATION



1. Decide mounting position in ceiling & cut 45mm diameter hole. Care should be taken to:
 - avoid structures, wiring or pipe work that may be in the ceiling void
 - not exceed the specified cutting diameter so as not to expose the cut edge
 - remove any thermal insulation from the area, so the luminaire is not covered
2. Pass the mains supply cable down through the hole & route to the remote module unit. This luminaire requires an **UNSWITCHED** live supply.
3. Unclip the terminal cover marked "AC Input" from the module unit.
4. Terminate the mains supply cable ensuring correct polarity is observed. This is a Class 1 fitting, so needs to be earthed.
5. Fit the outer sleeving of the cable into the moulded cable restraint & refit the termination cover.
6. Connect the battery pack using the large opal connectors.
7. Enter the "Installation Date" in the appropriate place on the battery pack label.
8. Connect the LED lamp head using the small white connectors.
9. Fit the luminaire into the ceiling by:
 - Inserting the module unit into the ceiling void by passing it through the hole & laying it in position, ensuring stable location onto the ceiling.
 - Inserting the battery pack into the ceiling void by passing it through the hole & laying it in position, ensuring stable location onto the ceiling.
 - Squeeze the springs on the lamp head into a vertical position, then insert into the hole & release to allow the springs pull the lamp up & retain it in position.
10. Reconnect the power supply & check the green indicator LED illuminates.
11. The batteries should be allowed to charge for at least 24 hours before carrying out a full discharge test to check batteries are charging correctly & the maintained duration is being achieved.

LENS SELECTION

The luminaire comes fitted with a wide symmetrical distribution lens as standard. There is an option to change to the oval corridor distribution lens (supplied loose with lamp head unit) by following the below steps:

1. Remove the wide distribution lens by inserting a small flat head screw driver into one of the two the recessed slots on the edge of the inner white disc. This will unclip the lens & the white moulded holder.
2. Off the oval corridor distribution lens with its white moulded holder up to the front of the head unit, aligning the small notch with the slot (to ensure correct alignment), then press to clip it in position.

OPERATION / MAINTENANCE

- This unit is using Lithium Iron Phosphate cell (LiFeP04) in its battery pack. These batteries require close monitoring and protection circuitry to operate safely. This pack uses a dedicated protection built into the module unit. Ensure like for like batteries are used in any replacement maintenance.
- Nominal battery life is designed to be at least 4 years. They should be replaced when they no longer achieve the 3 hour full duration.
- This luminaire MUST be disconnected before the circuit it is installed on is subjected to any high voltage or insulation resistance testing, otherwise irreparable damage will occur to luminaire components.
- Ensure cleanliness of luminaires is maintained so as not to affect performance.

TESTING FOR EMERGENCY LUMINAIRES

Recommended routine test procedures in line with BS 5266 & BS EN 50172:

Monthly Functional Test

- Simulate a mains supply failure by:
 - isolating the circuit (ensuring if it is safe to do so)
 - way of a test key switch if fitted into the circuit
 - by pressing the test button next to the lens on the head unit
- Do this for a period of time sufficient to check that the light source illuminates from the battery supply.
- Once complete, ensure the normal supply is restored & that the green LED charge indicator illuminates.
- Log result/comments in the Testing Log Book (below).

Annual Discharge Test

- Simulate a mains supply failure by isolating the circuit (ensuring if it is safe to do so) or by way of a test key switch if fitted into the circuit.
- This should be for the full 3-hour rated duration.
- Check that the light source illuminates & remains illuminated for the full rated duration period.
- Once complete, ensure the normal supply is restored & that the green LED charge indicator illuminates.
- Log result/comments in the Testing Log Book (below).

TESTING LOG BOOK

Luminaire Type: Luminaire Location/No.:

MONTH	TEST	FIRST YEAR		SECOND YEAR		THIRD YEAR		FORTH YEAR		FIFTH YEAR	
		Signed	Date	Signed	Date	Signed	Date	Signed	Date	Signed	Date
1	FUNCTIONAL										
2	FUNCTIONAL										
3	FUNCTIONAL										
4	FUNCTIONAL										
5	FUNCTIONAL										
6	FUNCTIONAL										
7	FUNCTIONAL										
8	FUNCTIONAL										
9	FUNCTIONAL										
10	FUNCTIONAL										
11	FUNCTIONAL										
12	DISCHARGE										

Installed By: Installed Date:

Contact Details:
