

**ALBERTA INSTRUCTIONS - ENGLISH**  
**Issue 01 December 2025**

**Thank you for your purchase**

For best results, have this light fitting installed by a qualified electrician, following these instructions. Keep this leaflet for future reference.

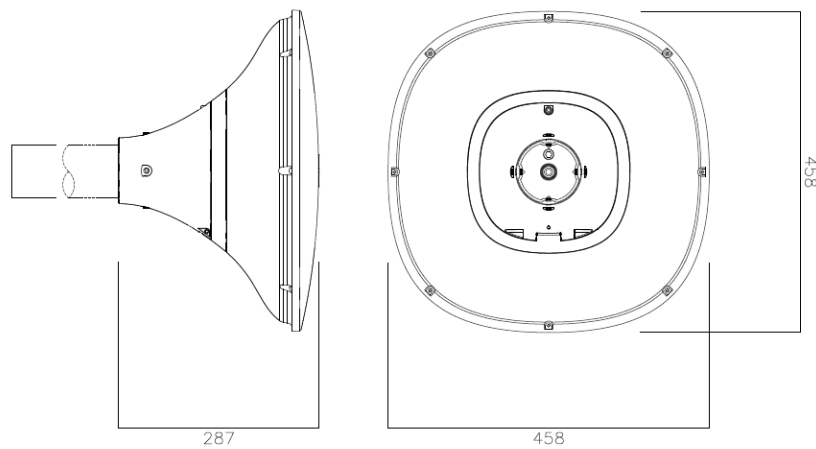
**Safety**

- Mains powered – installation must comply with building and electrical regulations.
- Always switch off and isolate the power before installation or maintenance.

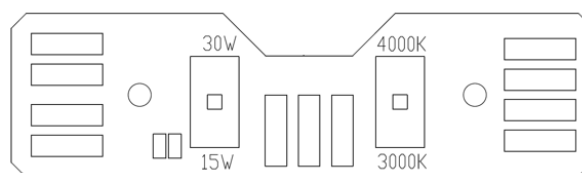
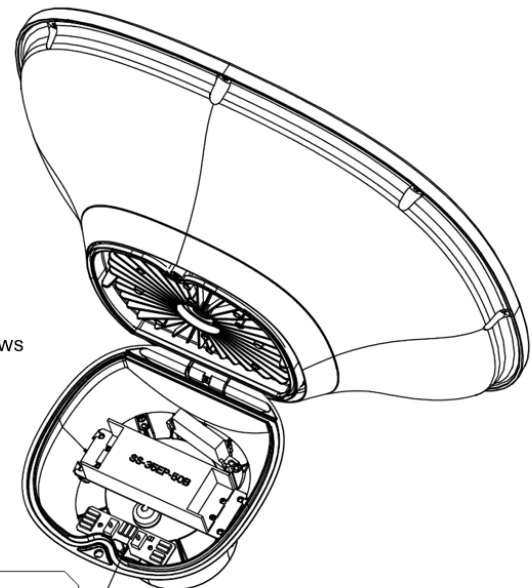
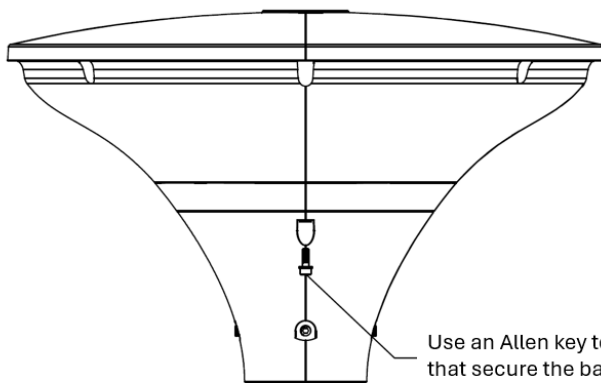


**Need Help?**

For advice or accessories, contact us at the address above. Please have the product name, model, and purchase details ready.

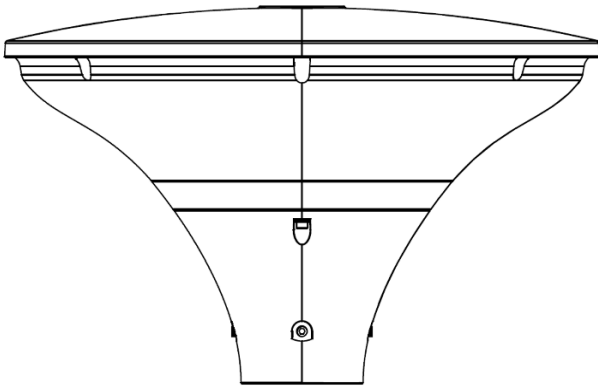


**LUMINAIRE INSTALLATION**



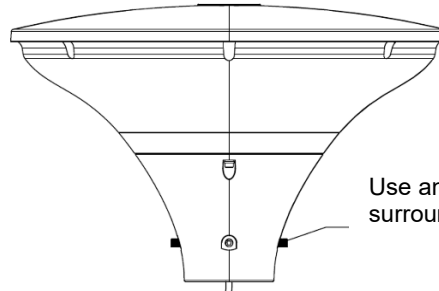
Adjust the DIP switch to select the desired output and colour temperature.

**WARNING: DO NOT perform an insulation test.**



After adjusting the output and colour temperature, tighten the screws that secure the base and close the electrical compartment.

After adjusting the output and colour temperature, tighten the screws that secure the base and close the electrical compartment.



Use an Allen key to loosen the four surrounding set screws.

Connect the corresponding cable and insert the lamp into the mounting pole.

The applicable mounting pole diameter range is 60–76 mm.

### POWER ADJUSTMENT DIP-SWITCH

<b>3000K</b>	<b>Lumens</b>
<b>15W</b>	<b>1860lm</b>
<b>30W</b>	<b>3703lm</b>

<b>4000K</b>	<b>Lumens</b>
<b>15W</b>	<b>1949lm</b>
<b>30W</b>	<b>3948lm</b>

### ELECTRICAL DATA

The maximum number of fixtures that can be connected per fuse:

MCB Types	Fixture Amount
<b>B10 =</b>	<b>17</b>
<b>B16 =</b>	<b>27</b>
<b>C10 =</b>	<b>28</b>
<b>C16 =</b>	<b>46</b>

### MAINTENANCE

- Cleaning should be carried out at regular intervals to avoid impairing the luminaire's photometric performance or thermal safety.
- The light source and driver are replaceable. Replacement of the light source and driver should be carried out by a qualified person to ensure that the replacement is done correctly and that the product is not damaged.
- The luminaire contains a light source with energy efficiency class E in accordance with Regulation (EU) 2019/2015.

PE cell sensor option available, provided with NEMA socket installed on top of the fitting. To add PE cell, attach the loosely packed sensor to the NEMA socket on the fitting.

### PE CELL WIRING GUIDANCE

