

## AMENITY SUSPENSION KIT INSTRUCTIONS

Issue 02 - December 2025

### SUSPENSION KIT AVAILABLE FOR ATLANTA, ADDISON PRO & AMARILLO LUMINAIRES

#### Thank you for your purchase

For best results, have this light fitting installed by a qualified electrician, following these instructions. Keep this leaflet for future reference.

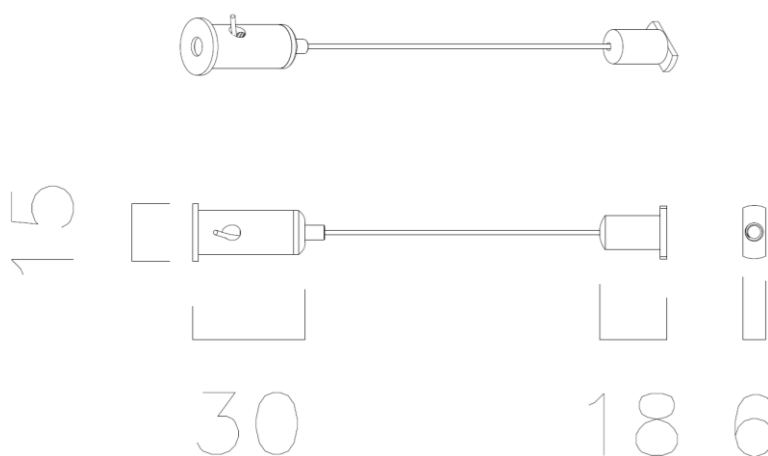
#### Safety

- Mains powered – installation must comply with building and electrical regulations.
- Always switch off and isolate the power before installation or maintenance.

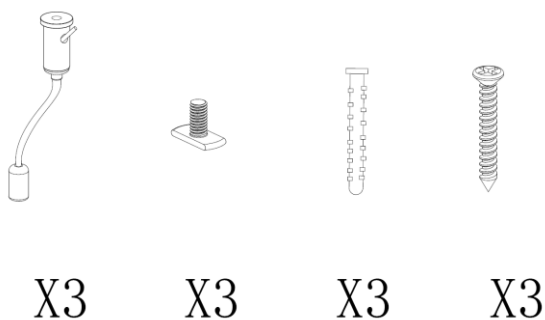


#### Need Help?

For advice or accessories, contact us at the address above. Please have the product name, model, and purchase details ready.

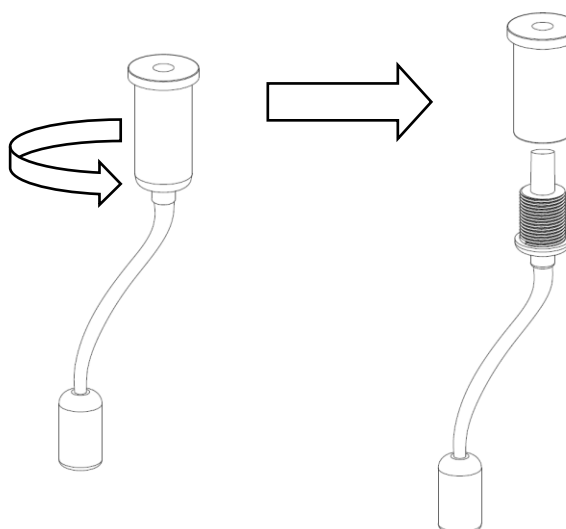


#### CABLE KIT CONTENTS

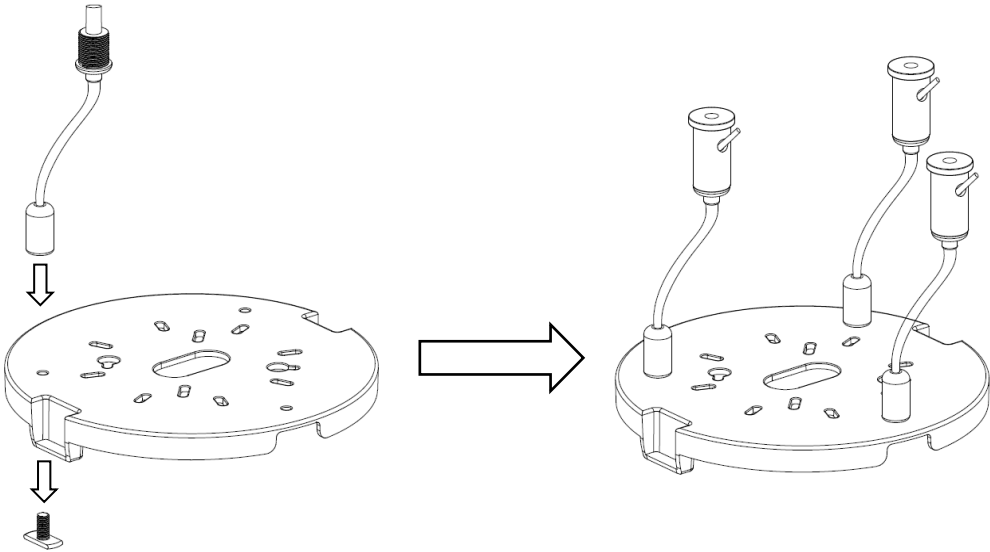


#### INSTALLATION

1. Loosen the stand-off from the suspension cable as shown:
2. Mark the desired location of the suspension kit and install the rawl plug into the mounting surface



3. Install suspension kit as shown:



4. Reassembly fitting as shown:

