

COLUMBIA INSTRUCTIONS - ENGLISH
Issue 01 December 2025

Thank you for your purchase

For best results, have this light fitting installed by a qualified electrician, following these instructions. Keep this leaflet for future reference.

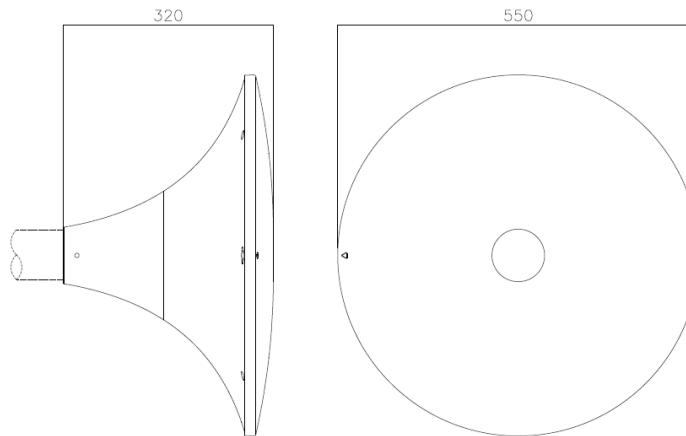
Safety

- Mains powered – installation must comply with building and electrical regulations.
- Always switch off and isolate the power before installation or maintenance.

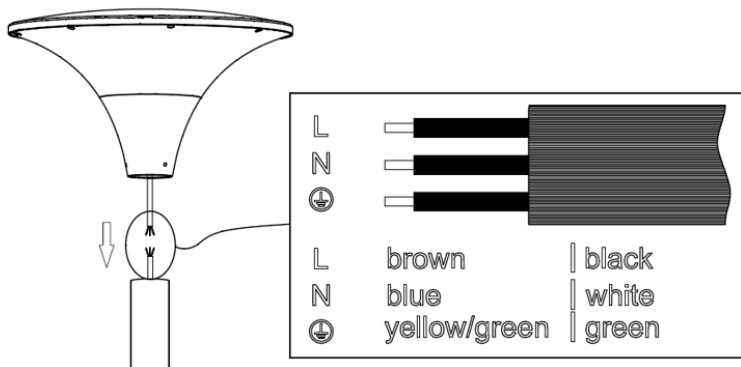
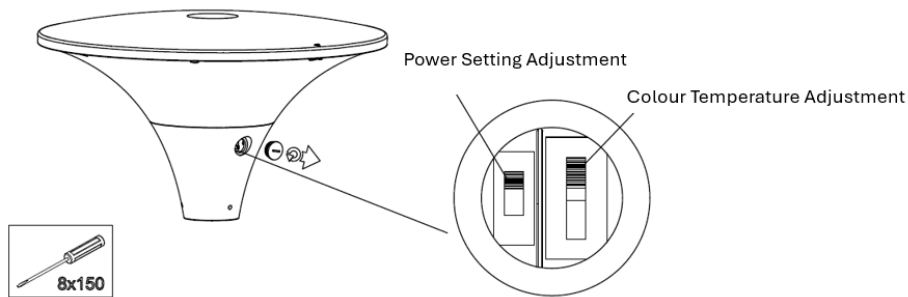


Need Help?

For advice or accessories, contact us at the address above. Please have the product name, model, and purchase details ready.



LUMINAIRE INSTALLATION

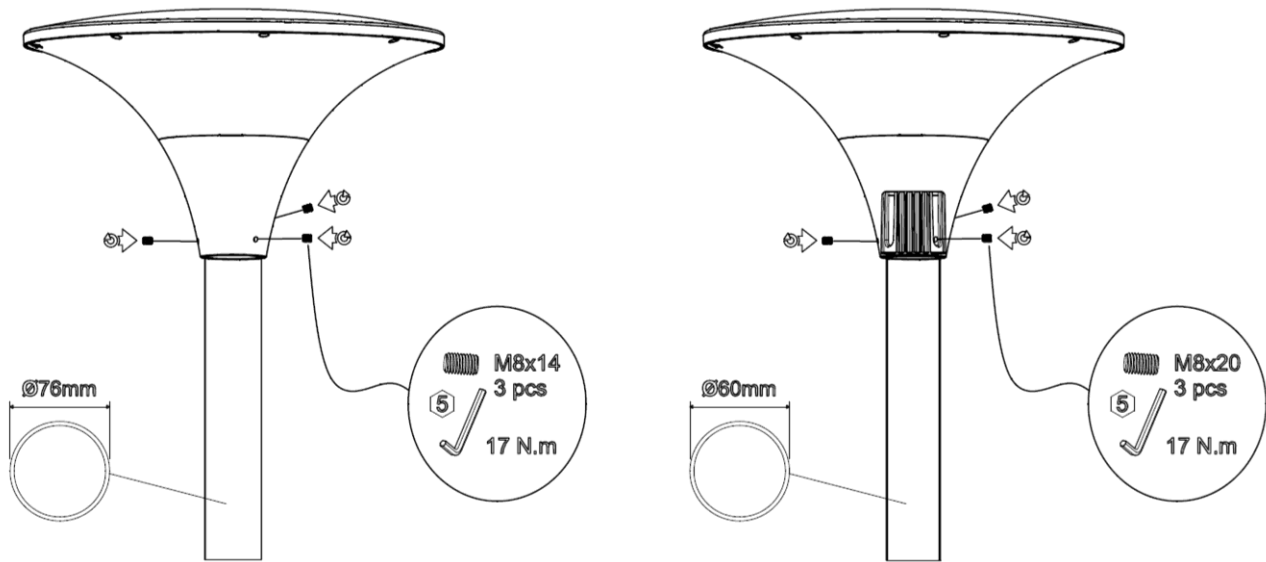


Dimming Signal Cables

Note: The color of the dimming wires is indicated on the cable marking on the fixture.



Warning: The dimming signal cable must not be connected to high voltage.



WARNING: DO NOT perform an insulation test.

POWER ADJUSTMENT DIP-SWITCH

4000K	Lumens
20W	2626lm
30W	4043lm
40W	5192lm

ELECTRICAL DATA

The maximum number of fixtures that can be connected per fuse:

MCB Types	Fixture Amount
B10 =	19
B16 =	31
C10 =	32
C16 =	51

MAINTENANCE

- Cleaning should be carried out at regular intervals to avoid impairing the luminaire’s photometric performance or thermal safety.
- The light source and driver are replaceable. Replacement of the light source and driver should be carried out by a qualified person to ensure that the replacement is done correctly and that the product is not damaged.
- The luminaire contains a light source with energy efficiency class E in accordance with Regulation (EU) 2019/2015.

PE cell sensor option available, provided with NEMA socket installed on top of the fitting. To add PE cell, attach the loosely packed sensor to the NEMA socket on the fitting.

PE CELL WIRING GUIDANCE

