

## DALLAS LED SURFACE / SUSPENDED LUMINAIRE INSTRUCTIONS

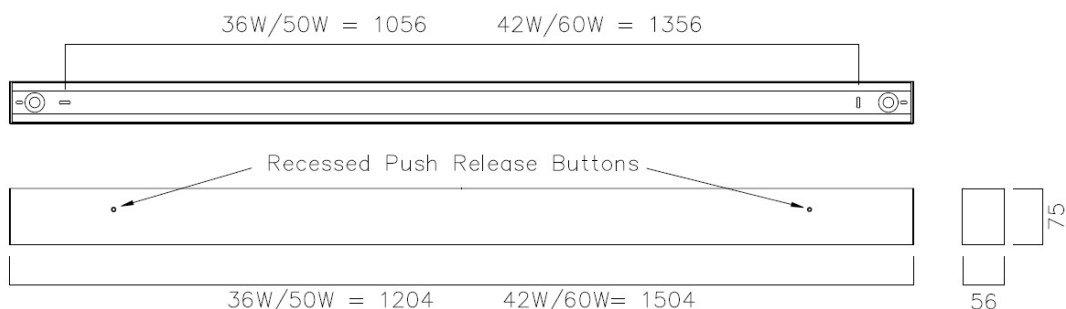
### Issue 04 on 23rd February 2021

**THANK YOU** for buying this product. To help ensure it gives complete satisfaction please install it according to these instructions and then pass the instructions to the appropriate person for retention and future reference.

**SAFETY** This is a mains powered product. It is designed to be installed by suitably qualified personnel only and in accordance with the applicable building and electrical regulations. Before installation or maintenance the electrical supply to the product must be isolated.

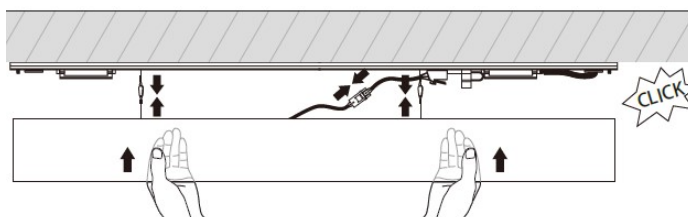


**INSTALLATION SUPPORT** If installation advice or accessories are required please contact us at the above address. We will do our best to help. When reporting a suspected fault or seeking installation support the problem is likely to be resolved most quickly if you have full product details to-hand as well as details of when and where it was purchased.



### INSTALLATION

#### Surface Mounting:



1. Unclip the mounting plate from the main body by using a suitable screwdriver to push the recessed release buttons on the side of the luminaire as shown above.
2. Remove the mounting plate for ease of installation by unclipping from retaining straps and disconnecting 3way push fit mains connector.
3. The mounting plate is pierced to provide 2-off oblong fixing points along the centre line of the mounting plate dimensions shown.
4. Offer the mounting plate to the chosen mounting surface, passing the mains supply cable through the appropriate cable entry point.
5. Securely fix the mounting plate in position.
6. Route the mains supply cable to the terminal block & terminate ensuring correct polarity is observed.
7. Offer the main body to the mounting plate:
  - a. Reconnect the snap hooks of the retaining straps.
  - b. Reconnect the 3 way push fit mains connector.
  - c. Securely clip the main body into position

### WARNING: THIS LUMINAIRE MUST BE EARTHED

8. Reconnect power supply & check for correct operation. **Note! Luminaires fitted with electronic drivers are exempt from insulation resistance tests as this may cause damage to the driver.**

### Wire Suspension:

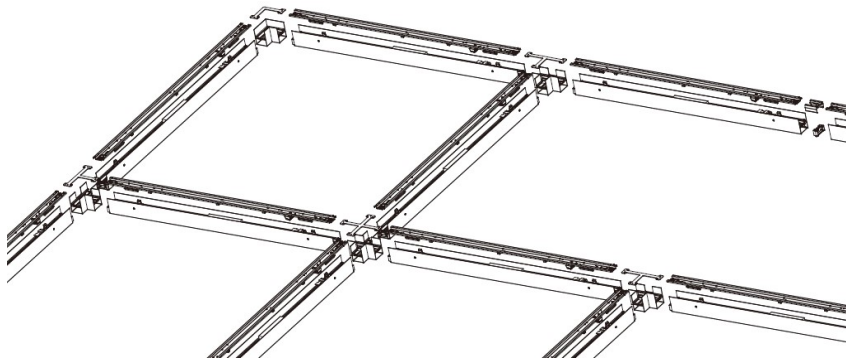
1. This will require the wire suspension kit, which is supplied as standard with bi-directional versions - **Suffix.../BD/..** and optional extra on the downlight versions- **Suffix.../DO/...**, so must be ordered separately (Order code: ND/WSK).
2. Separate instructions are supplied with the kit to detail the installation of the wire suspension.

### Multi-connection (linked) Installations: See instructions below

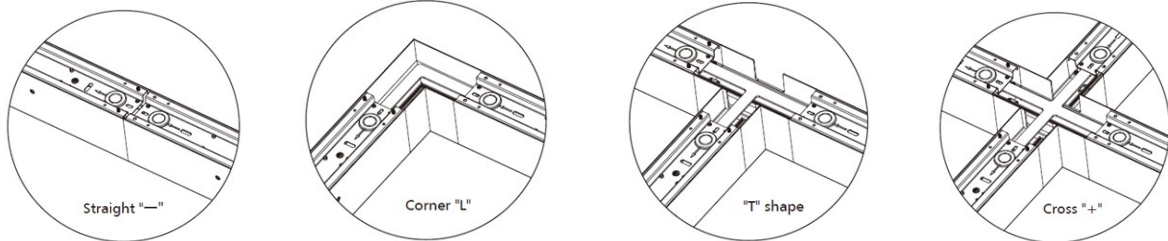
### MAINTENANCE

1. Cleaning should be carried out at regular intervals so as not impair photometric performance or thermal safety of the luminaire.

**Multi-Connection (Linked) Installations:**



**Joining Connectors & Couplers(\*) as shown below:**



**NVC Codes: NDL/O/STRAIGHT  
NDL/R/STRAIGHT**

**NDL/O/L  
NDL/R/L**

**NDL/O/T  
NDL/R/T**

**NDL/O/X  
NDL/R/X**

**Suffix .../O/... Opal Diffuser Versions & Suffix .../R/... Reflector Versions**

**\* Mounting Plate Couplers come as part of the above kits**

1. The Dallas Luminaire is designed to be linked using the various kit accessories as shown above (to be ordered separately).
2. All of the above kits come with required number straight joining brackets, couplers and screws.
3. Joining bracket installation is shown below in Fig 1. and is applicable to all variants:
  - Align the joining brackets with the apertures in the luminaires,
    - i. Push into place so the screw holes are clearly visible
  - Secure the joining bracket in place by use of the 4 off M3x8 pozi-pan head thread forming screws supplied.
  - Repeat the above steps as required to suit the type of linked solution.
4. The Straight coupler installation is as shown in Fig 2. and applicable where straight linked runs are required
  - Align the coupler to the mounting plate holes
  - Secure in place by using the 4 off M3x6 pozi-pan head screws
  - Couplers come with Suspension kit fixing points
  - Repeat the above steps as required.
5. The Installation of the L (Fig 3.), T (Fig 4.) & X (Fig 5.) couplers are as shown
  - Align the coupler to the mounting plate holes
  - Secure in place using the 2 off M3x6 pozi-pan head screws at each luminaire junction point to suit
  - Couplers come with Suspension kit fixing points
  - Repeat the above steps as required.
6. Blank Spacers (supplied complete with straight coupling kits on both ends) available in 4Ft and 5Ft for both the opal and reflector versions. See Fig 6.
  - Follow the installation instructions for the joining bracket & straight coupler as in steps 3 & 4. above.

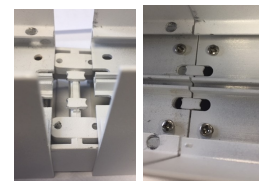


Fig 1.

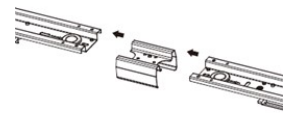


Fig 2.

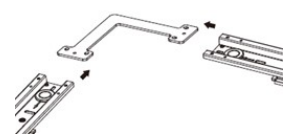


Fig 3.

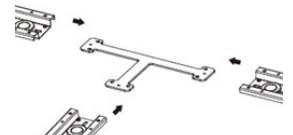


Fig 4.

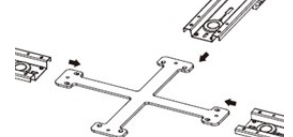


Fig 5.



Shows Straight Coupling kit fitted



NDL/O/1200/BLANK/SPACER  
NDL/O/1500/BLANK/SPACER



NDL/R/1200/BLANK/SPACER  
NDL/R/1500/BLANK/SPACER

Fig.6

7. For supply wiring use 1.5mm<sup>2</sup> cable with the loop in loop out feature on the mains terminal block to internally link the luminaires.