

## STERLING LED PANEL INSTRUCTIONS

Issue 07 on 22nd July 2021

**THANK YOU** for buying this product. To help ensure it gives complete satisfaction please install it according to these instructions and then pass the instructions to the appropriate person for retention and future reference.

**SAFETY** This is a mains powered product. It is designed to be installed by suitably qualified personnel only and in accordance with the applicable building and electrical regulations. Before installation or maintenance the electrical supply to the product must be isolated.



**INSTALLATION SUPPORT** If installation advice or accessories are required please contact us at the above address. We will do our best to help. When reporting a suspected fault or seeking installation support the problem is likely to be resolved most quickly if you have full product details to-hand, as well as details of when and where it was purchased.

### INSTALLATION

1. Pass mains supply cable down through the chosen aperture in suspended ceiling grid.
2. Disconnect the driver unit from the LED panel via the plug & socket connectors.

**Note!** The driver comes with a pre-fitted mains connection box. This is to speed up installation & allows "loop in / loop out" of the mains supply.

3. Open the mains connection box by squeezing together the two pegs & hinging the cover up. This will expose the mains terminal block.
4. Route the mains supply cable(s) to appropriate connection points & terminate, ensuring correct polarity is observed.

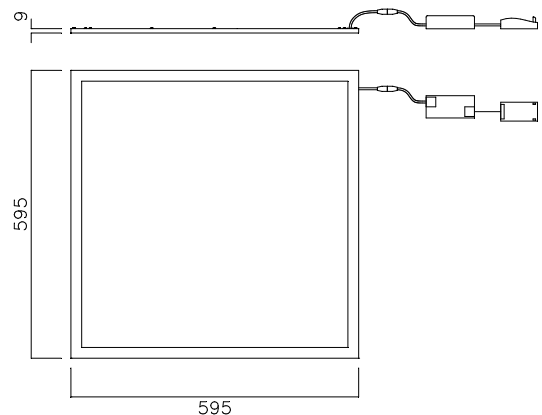
**Note!** These luminaires are Class II so no earth is actually required, but there is an earth terminal for the mains circuit.

5. Fit the cable clamp to restrain the mains cable(s).
6. Close the connection box cover & press down to ensure it secures in closed position.
7. Locate the driver unit into the ceiling grid by passing it through the aperture & laying it in position.

**Note!** The driver unit should be placed in a suitably ventilated area to ensure prolonged life.

**Note!** If it is placed on the rear of the panel it **MUST BE** kept away from the edge of panel.

8. Offer the panel up to the aperture & remake the connection to the driver.
  9. Lift the panel up through the aperture & then lay in position on the ceiling grid.
- Note!** The back of the panel & the gear box should not be covered in any way as it may affect performance & lifetime
10. Reconnect power supply & check for correct operation.
- Note!** Luminaires fitted with electronic drivers are exempt from insulation resistance tests as this will cause damage to the electronic components.



### MAINTENANCE

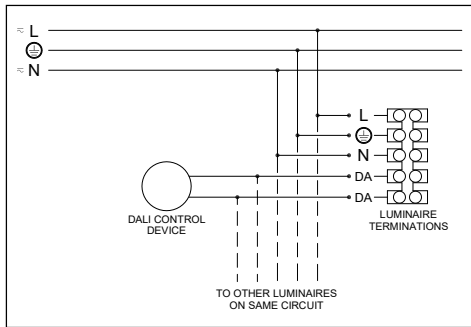
1. Gentle cleaning of the diffuser should be carried out at regular intervals so as not impair photometric performance of the luminaire.

## DD DIMMING VERSIONS ONLY

### TYPE OF DIMMING

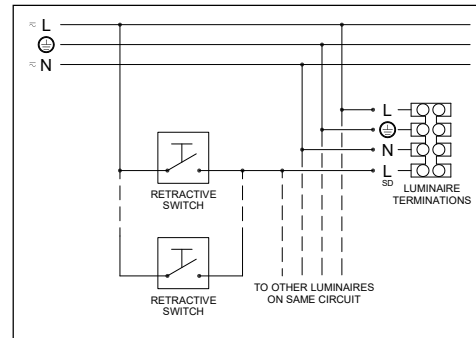
This product uses a LED driver that is capable of 2 methods of dimming:

#### DALI



Dimming via a Digital Addressable Lighting Interface.  
**Note! Further input may be required from your lighting controls provider.**

#### SWITCH-DIM



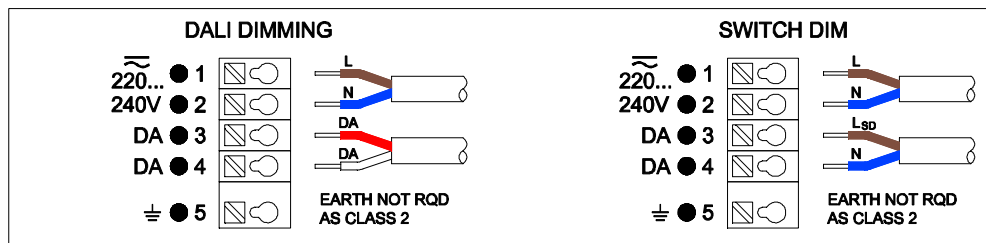
Dimming via a retractive switch.  
**Note! Different makes of control gear should never be actuated by the same retractive switch in an installation. There is a risk of a conflict in what you are asking the ballast to do.**

### REMOTE DRIVER WIRING

Power supply & signal wires input for luminaires with remote mounted LED drivers (i.e. driver not inside luminaire).

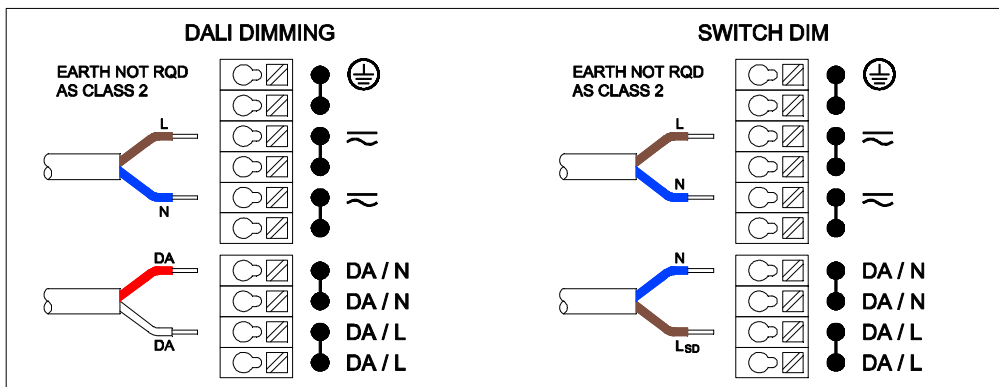
**Note! The make of LED driver will need to be identified so the correct wiring can be followed.**

#### Luminaires using OSRAM QTI DALI



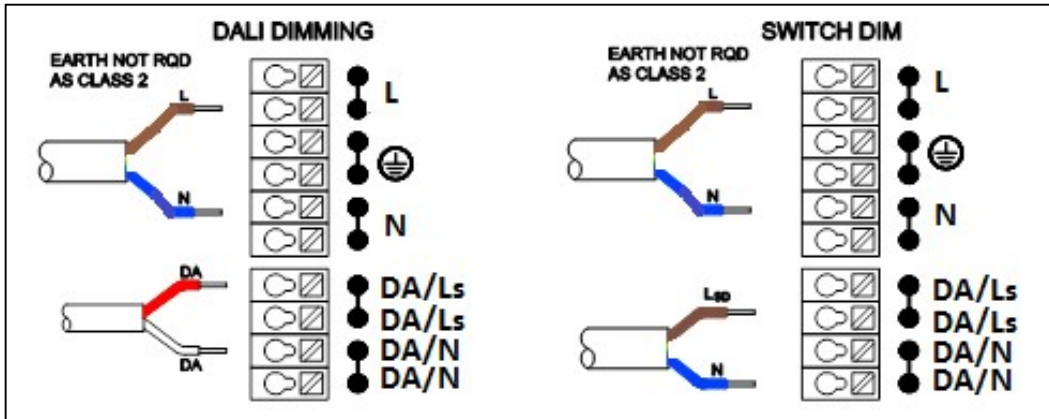
Note: L<sub>SD</sub> = Switch Dim Live

#### Luminaires using TRIDONIC ECO SR



Note: L<sub>SD</sub> = Switch Dim Live

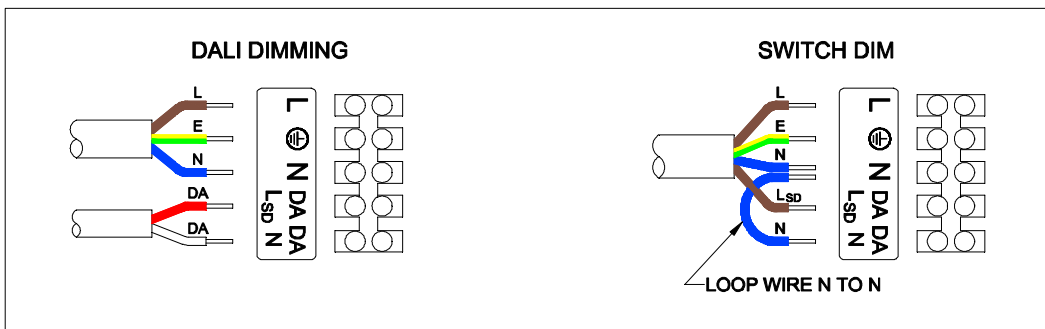
**Luminaires using PHILIPS XITANIUM**



Note: L<sub>SD</sub> = Switch Dim Live

**INTERNAL DRIVER WIRING**

Power supply & signal wires input for luminaires with built in LED driver & where there is a terminal block present



Note: L<sub>SD</sub> = Switch Dim Live